

**512M bits DDR SDRAM****EDD5108AFTA (64M words × 8 bits)  
EDD5116AFTA (32M words × 16 bits)****Specifications**

- Density: 512M bits
- Organization
  - 16M words × 8 bits × 4 banks (EDD5108AFTA)
  - 8M words × 16 bits × 4 banks (EDD5116AFTA)
- Package: 66-pin plastic TSOP (II)
  - Lead-free (RoHS compliant)
- Power supply:
  - DDR400: VDD, VDDQ = 2.6V ± 0.1V
  - DDR333, 266: VDD, VDDQ = 2.5V ± 0.2V
- Data rate: 400Mbps/333Mbps/266Mbps (max.)
- Four internal banks for concurrent operation
- Interface: SSTL\_2
- Burst lengths (BL): 2, 4, 8
- Burst type (BT):
  - Sequential (2, 4, 8)
  - Interleave (2, 4, 8)
- /CAS Latency (CL): 2, 2.5, 3
- Precharge: auto precharge option for each burst access
- Driver strength: normal/weak
- Refresh: auto-refresh, self-refresh
- Refresh cycles: 8192 cycles/64ms
  - Average refresh period: 7.8μs
- Operating ambient temperature range
  - TA = 0°C to +70°C

**Features**

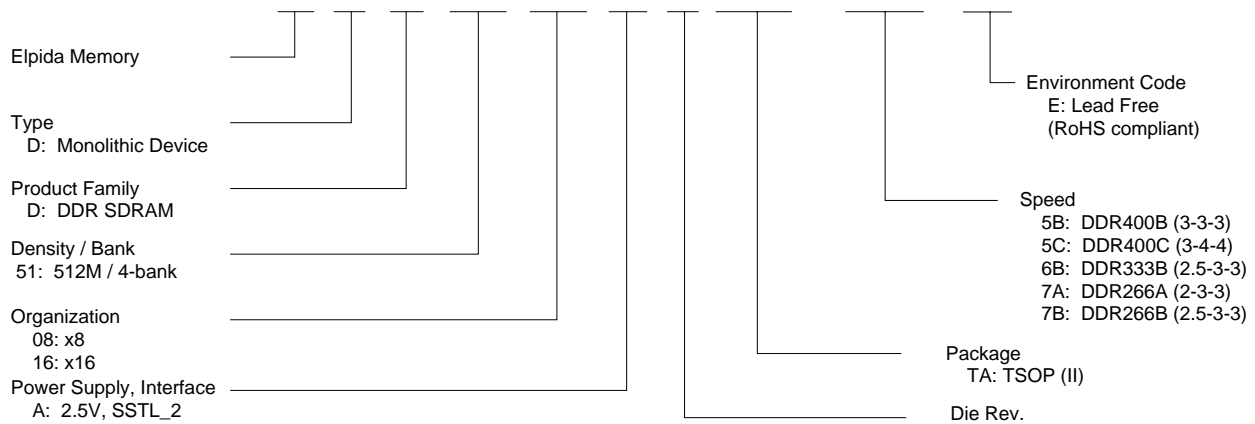
- Double-data-rate architecture; two data transfers per clock cycle
- The high-speed data transfer is realized by the 2 bits prefetch pipelined architecture
- Bi-directional data strobe (DQS) is transmitted /received with data for capturing data at the receiver
- Data inputs, outputs, and DM are synchronized with DQS
- DQS is edge-aligned with data for READs; center-aligned with data for WRITEs
- Differential clock inputs (CK and /CK)
- DLL aligns DQ and DQS transitions with CK transitions
- Commands entered on each positive CK edge; data and data mask referenced to both edges of DQS
- Data mask (DM) for write data

## Ordering Information

Part number	Mask version	Organization (words × bits)	Internal banks	Data rate Mbps (max.)	JEDEC speed bin (CL-tRCD-tRP)	Package
EDD5108AFTA-5B-E	F	64M × 8	4	400	DDR400B (3-3-3)	66-pin Plastic TSOP (II)
EDD5108AFTA-5C-E					DDR400C (3-4-4)	
EDD5108AFTA-6B-E				333	DDR333B (2.5-3-3)	
EDD5108AFTA-7A-E				266	DDR266A (2-3-3)	
EDD5108AFTA-7B-E	DDR266B (2.5-3-3)					
EDD5116AFTA-5B-E		32M × 16		400	DDR400B (3-3-3)	
EDD5116AFTA-5C-E					DDR400C (3-4-4)	
EDD5116AFTA-6B-E				333	DDR333B (2.5-3-3)	
EDD5116AFTA-7A-E				266	DDR266A (2-3-3)	
EDD5116AFTA-7B-E					DDR266B (2.5-3-3)	

## Part Number

# E D D 5 1 0 8 A F T A - 5 B - E

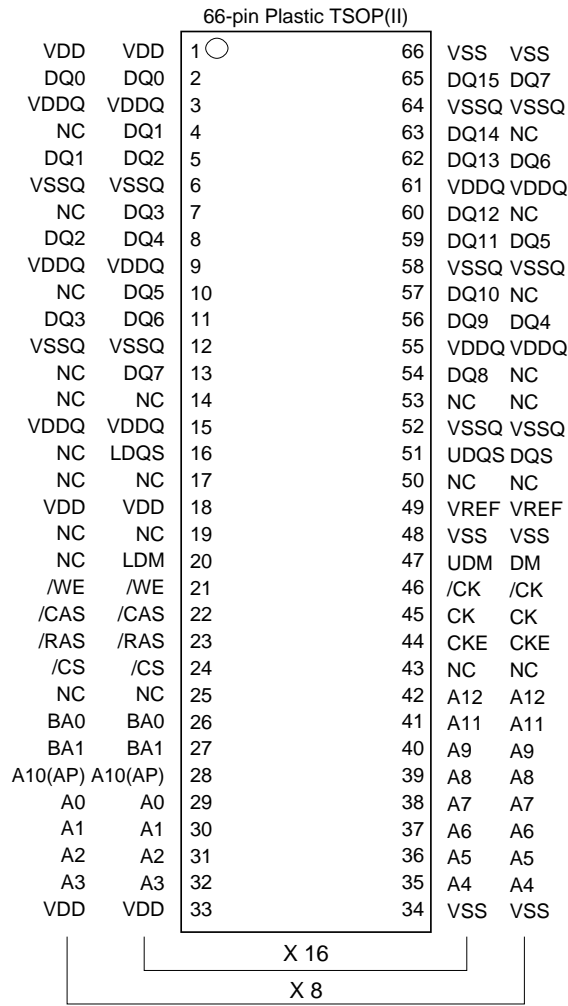


## Speed Grade Compatibility

Speed bin	Operating Frequencies		
	CL2	CL2.5	CL3
DDR400B	133MHz	166MHz	200MHz
DDR400C	133MHz	166MHz	200MHz
DDR333B	133MHz	166MHz	166MHz
DDR266A	133MHz	133MHz	133MHz
DDR266B	100MHz	133MHz	133MHz

**Pin Configurations**

/xxx indicates active low signal.



(Top view)

Pin name	Function	Pin name	Function
A0 to A12	Address inputs	CK	Clock input
BA0, BA1	Bank select address	/CK	Differential Clock input
DQ0 to DQ15	Data-input/output	CKE	Clock enable
DQS, LDQS, UDQS	Input and output data strobe	VREF	Input reference voltage
/CS	Chip select	VDD	Power for internal circuit
/RAS	Row address strobe command	VSS	Ground for internal circuit
/CAS	Column address strobe command	VDDQ	Power for DQ circuit
/WE	Write enable	VSSQ	Ground for DQ circuit
DM, UDM, LDM	Input mask	NC	No connection

**CONTENTS**

Specifications.....1  
Features.....1  
Ordering Information.....2  
Part Number .....2  
Speed Grade Compatibility.....2  
Pin Configurations .....3  
Electrical Specifications.....5  
Block Diagram .....13  
Pin Function.....14  
Command Operation .....16  
Simplified State Diagram.....23  
Operation of the DDR SDRAM .....24  
Timing Waveforms.....43  
Package Drawing .....49  
Recommended Soldering Conditions.....50

## Electrical Specifications

- All voltages are referenced to VSS (GND).
- After power up, wait more than 200  $\mu$ s and then, execute power on sequence and CBR (Auto) refresh before proper device operation is achieved.

## Absolute Maximum Ratings

Parameter	Symbol	Rating	Unit	Note
Voltage on any pin relative to VSS	VT	-1.0 to +3.6	V	
Supply voltage relative to VSS	VDD	-1.0 to +3.6	V	
Short circuit output current	IOS	50	mA	
Power dissipation	PD	1.0	W	
Operating ambient temperature	TA	0 to +70	°C	
Storage temperature	Tstg	-55 to +125	°C	

## Caution

**Exposing the device to stress above those listed in Absolute Maximum Ratings could cause permanent damage. The device is not meant to be operated under conditions outside the limits described in the operational section of this specification. Exposure to Absolute Maximum Rating conditions for extended periods may affect device reliability.**

## Recommended Operating Conditions (TA = 0°C to +70°C)

Parameter	Symbol	Speed	min.	typ.	max.	Unit	Notes
Supply voltage	VDD, VDDQ	DDR400	2.5	2.6	2.7	V	1
	VDD, VDDQ	DDR333, 266	2.3	2.5	2.7	V	1
	VSS, VSSQ		0	0	0	V	
Input reference voltage	VREF		$0.49 \times VDDQ$	$0.50 \times VDDQ$	$0.51 \times VDDQ$	V	
Termination voltage	VTT		$VREF - 0.04$	VREF	$VREF + 0.04$	V	
Input high voltage	VIH (DC)		$VREF + 0.15$	—	$VDDQ + 0.3$	V	2
Input low voltage	VIL (DC)		-0.3	—	$VREF - 0.15$	V	3
Input voltage level, CK and /CK inputs	VIN (DC)		-0.3	—	$VDDQ + 0.3$	V	4
Input differential cross point voltage, CK and /CK inputs	VIX (DC)		$0.5 \times VDDQ - 0.2V$	$0.5 \times VDDQ$	$0.5 \times VDDQ + 0.2V$	V	
Input differential voltage, CK and /CK inputs	VID (DC)		0.36	—	$VDDQ + 0.6$	V	5, 6

Notes: 1. VDDQ must be lower than or equal to VDD.

2. VIH is allowed to exceed VDD up to 3.6V for the period shorter than or equal to 5ns.
3. VIL is allowed to outreach below VSS down to -1.0V for the period shorter than or equal to 5ns.
4. VIN (DC) specifies the allowable DC execution of each differential input.
5. VID (DC) specifies the input differential voltage required for switching.
6. VIH (CK) min assumed over  $VREF + 0.18V$ , VIL (CK) max assumed under  $VREF - 0.18V$  if measurement.

## DC Characteristics 1 (TA = 0°C to +70°C, VDD, VDDQ = 2.6V ± 0.1V, VSS, VSSQ = 0V) [DDR400]

Parameter	Symbol	Grade	max.		Unit	Test condition	Notes
			× 8	× 16			
Operating current (ACT-PRE)	IDD0		120	120	mA	CKE ≥ VIH, tRC = tRC (min.)	1, 2, 9
Operating current (ACT-READ-PRE)	IDD1		160	160	mA	CKE ≥ VIH, BL = 4, CL = 3, tRC = tRC (min.)	1, 2, 5
Idle power down standby current	IDD2P		5	5	mA	CKE ≤ VIL	4
Floating idle standby current	IDD2F		30	30	mA	CKE ≥ VIH, /CS ≥ VIH, DQ, DQS, DM = VREF	4, 5
Quiet idle standby current	IDD2Q		25	25	mA	CKE ≥ VIH, /CS ≥ VIH, DQ, DQS, DM = VREF	4, 10
Active power down standby current	IDD3P		30	30	mA	CKE ≤ VIL	3
Active standby current	IDD3N		60	60	mA	CKE ≥ VIH, /CS ≥ VIH, tRAS = tRAS (max.)	3, 5, 6
Operating current (Burst read operation)	IDD4R		215	215	mA	CKE ≥ VIH, BL = 2, CL = 3	1, 2, 5, 6
Operating current (Burst write operation)	IDD4W		215	215	mA	CKE ≥ VIH, BL = 2, CL = 3	1, 2, 5, 6
Auto-refresh current	IDD5		220	220	mA	tRFC = tRFC (min.), Input ≤ VIL or ≥ VIH	
Self-refresh current	IDD6		5	5	mA	Input ≥ VDD - 0.2 V, Input ≤ 0.2 V	
Operating current (4 banks interleaving)	IDD7A		400	400	mA	BL = 4	1, 5, 6, 7

## DC Characteristics 1 (TA = 0°C to +70°C, VDD, VDDQ = 2.5V ± 0.2V, VSS, VSSQ = 0V) [DDR333, 266]

Parameter	Symbol	Grade	max.		Unit	Test condition	Notes
			× 8	× 16			
Operating current (ACT-PRE)	IDD0	-6B, -7A, -7B	105 95	105 95	mA	CKE ≥ VIH, tRC = tRC (min.)	1, 2, 9
Operating current (ACT-READ-PRE)	IDD1	-6B, -7A, -7B	140 130	140 130	mA	CKE ≥ VIH, BL = 4, CL = 2.5, tRC = tRC (min.)	1, 2, 5
Idle power down standby current	IDD2P		5	5	mA	CKE ≤ VIL	4
Floating idle standby current	IDD2F	-6B, -7A, -7B	30 25	30 25	mA	CKE ≥ VIH, /CS ≥ VIH, DQ, DQS, DM = VREF	4, 5
Quiet idle standby current	IDD2Q		20	20	mA	CKE ≥ VIH, /CS ≥ VIH, DQ, DQS, DM = VREF	4, 10
Active power down standby current	IDD3P		30	30	mA	CKE ≤ VIL	3
Active standby current	IDD3N	-6B, -7A, -7B	55	55	mA	CKE ≥ VIH, /CS ≥ VIH, tRAS = tRAS (max.)	3, 5, 6
Operating current (Burst read operation)	IDD4R	-6B, -7A, -7B	185 155	185 155	mA	CKE ≥ VIH, BL = 2, CL = 2.5	1, 2, 5, 6
Operating current (Burst write operation)	IDD4W	-6B, -7A, -7B	185 160	185 160	mA	CKE ≥ VIH, BL = 2, CL = 2.5	1, 2, 5, 6
Auto-refresh current	IDD5	-6B, -7A, -7B	205 195	205 195	mA	tRFC = tRFC (min.), Input ≤ VIL or ≥ VIH	
Self-refresh current	IDD6		5	5	mA	Input ≥ VDD - 0.2 V, Input ≤ 0.2 V	
Operating current (4 banks interleaving)	IDD7A	-6B, -7A, -7B	380 345	380 345	mA	BL = 4	1, 5, 6, 7

- Notes:
1. These IDD data are measured under condition that DQ pins are not connected.
  2. One bank operation.
  3. One bank active.
  4. All banks idle.
  5. Command/Address transition once per one clock cycle.
  6. DQ, DM and DQS transition twice per one clock cycle.
  7. 4 banks active. Only one bank is running at  $t_{RC} = t_{RC}(\text{min.})$
  8. The IDD data on this table are measured with regard to  $t_{CK} = t_{CK}(\text{min.})$  in general.
  9. Command/Address transition once every two clock cycle.
  10. Command/Address stable at  $\geq V_{IH}$  or  $\leq V_{IL}$ .

**DC Characteristics 2 (TA = 0°C to +70°C, VDD, VDDQ = 2.6V ± 0.1V, VSS, VSSQ = 0V) [DDR400]**

**(TA = 0°C to +70°C, VDD, VDDQ = 2.5V ± 0.2V, VSS, VSSQ = 0V) [DDR333, 266]**

Parameter	Symbol	min.	max.	Unit	Test condition	Notes
Input leakage current	ILI	-2	2	μA	VDD ≥ VIN ≥ VSS	
Output leakage current	ILO	-5	5	μA	VDDQ ≥ VOUT ≥ VSS	
Output high current	IOH	-15.2	—	mA	VOUT = 1.95V	
Output low current	IOL	15.2	—	mA	VOUT = 0.35V	

**Pin Capacitance (TA = +25°C, VDD, VDDQ = 2.6V ± 0.1V, VSS, VSSQ = 0V) [DDR400]**

**(TA = +25°C, VDD, VDDQ = 2.5V ± 0.2V, VSS, VSSQ = 0V) [DDR333, 266]**

Parameter	Symbol	Pins	min.	typ.	max.	Unit	Notes
Input capacitance	CI1	CK, /CK	2.0	—	3.0	pF	1
	CI2	All other input pins	2.0	—	3.0	pF	1
Delta input capacitance	Cdi1	CK, /CK	—	—	0.25	pF	1
	Cdi2	All other input-only pins	—	—	0.5	pF	1
Data input/output capacitance	CI/O	DQ, DM, DQS	4.0	—	5	pF	1, 2
Delta input/output capacitance	Cdio	DQ, DM, DQS	—	—	0.5	pF	1

- Notes:
1. These parameters are measured on conditions:  $f = 100\text{MHz}$ ,  $V_{OUT} = V_{DDQ}/2$ ,  $\Delta V_{OUT} = 0.2\text{V}$ .
  2. DOUT circuits are disabled.

AC Characteristics (TA = 0°C to +70°C, VDD, VDDQ = 2.6V ± 0.1V, VSS, VSSQ = 0V) [DDR400]

Parameter	Symbol	-5B		-5C		Unit	Notes
		min.	max.	min.	max.		
Clock cycle time	tCK	5	8	5	8	ns	10
CK high-level width	tCH	0.45	0.55	0.45	0.55	tCK	
CK low-level width	tCL	0.45	0.55	0.45	0.55	tCK	
CK half period	tHP	min (tCH, tCL)	—	min (tCH, tCL)	—	tCK	
DQ output access time from CK, /CK	tAC	-0.7	0.7	-0.7	0.7	ns	2, 11
DQS output access time from CK, /CK	tDQSCK	-0.55	0.55	-0.55	0.55	ns	2, 11
DQS to DQ skew	tDQSQ	—	0.4	—	0.4	ns	3
DQ/DQS output hold time from DQS	tQH	tHP – tQHS	—	tHP – tQHS	—	ns	
Data hold skew factor	tQHS	—	0.5	—	0.5	ns	
Data-out high-impedance time from CK, /CK	tHZ	—	0.7	—	0.7	ns	5, 11
Data-out low-impedance time from CK, /CK	tLZ	-0.7	0.7	-0.7	0.7	ns	6, 11
Read preamble	tRPRE	0.9	1.1	0.9	1.1	tCK	
Read postamble	tRPST	0.4	0.6	0.4	0.6	tCK	
DQ and DM input setup time	tDS	0.4	—	0.4	—	ns	8
DQ and DM input hold time	tDH	0.4	—	0.4	—	ns	8
DQ and DM input pulse width	tDIPW	1.75	—	1.75	—	ns	7
Write preamble setup time	tWPRES	0	—	0	—	ns	
Write preamble	tWPRE	0.25	—	0.25	—	tCK	
Write postamble	tWPST	0.4	0.6	0.4	0.6	tCK	9
Write command to first DQS latching transition	tDQSS	0.72	1.28	0.72	1.28	tCK	
DQS falling edge to CK setup time	tDSS	0.2	—	0.2	—	tCK	
DQS falling edge hold time from CK	tDSH	0.2	—	0.2	—	tCK	
DQS input high pulse width	tDQSH	0.35	—	0.35	—	tCK	
DQS input low pulse width	tDQSL	0.35	—	0.35	—	tCK	
Address and control input setup time	tIS	0.6	—	0.6	—	ns	8
Address and control input hold time	tIH	0.6	—	0.6	—	ns	8
Address and control input pulse width	tIPW	2.2	—	2.2	—	ns	7
Mode register set command cycle time	tMRD	2	—	2	—	tCK	
Active to Precharge command period	tRAS	40	120000	40	120000	ns	
Active to Active/Auto-refresh command period	tRC	55	—	60	—	ns	
Auto-refresh to Active/Auto-refresh command period	tRFC	70	—	70	—	ns	
Active to Read/Write delay	tRCD	15	—	18	—	ns	
Precharge to active command period	tRP	15	—	18	—	ns	
Active to Autoprecharge delay	tRAP	tRCD min.	—	tRCD min.	—	ns	
Active to active command period	tRRD	10	—	10	—	ns	
Write recovery time	tWR	15	—	15	—	ns	
Auto precharge write recovery and precharge time	tDAL	(tWR/tCK)+ (tRP/tCK)	—	(tWR/tCK)+ (tRP/tCK)	—	tCK	13
Internal write to Read command delay	tWTR	2	—	2	—	tCK	
Average periodic refresh interval	tREF	—	7.8	—	7.8	µs	



AC Characteristics (TA = 0°C to +70°C, VDD, VDDQ = 2.5V ± 0.2V, VSS, VSSQ = 0V) [DDR333, 266]

Parameter	Symbol	-6B		-7A		-7B		Unit	Notes
		min.	max.	min.	max.	min.	max.		
Clock cycle time (CL = 2)	tCK	7.5	12	7.5	12	10	12	ns	10
(CL = 2.5)	tCK	6	12	7.5	12	7.5	12	ns	
CK high-level width	tCH	0.45	0.55	0.45	0.55	0.45	0.55	tCK	
CK low-level width	tCL	0.45	0.55	0.45	0.55	0.45	0.55	tCK	
CK half period	tHP	min (tCH, tCL)	—	min (tCH, tCL)	—	min (tCH, tCL)	—	tCK	
DQ output access time from CK, /CK	tAC	-0.7	0.7	-0.75	0.75	-0.75	0.75	ns	2, 11
DQS output access time from CK, /CK	tDQSCK	-0.6	0.6	-0.75	0.75	-0.75	0.75	ns	2, 11
DQS to DQ skew	tDQSQ	—	0.45	—	0.5	—	0.5	ns	3
DQ/DQS output hold time from DQS	tQH	tHP – tQHS	—	tHP – tQHS	—	tHP – tQHS	—	ns	
Data hold skew factor	tQHS	—	0.55	—	0.75	—	0.75	ns	
Data-out high-impedance time from CK, /CK	tHZ	—	0.7	—	0.75	—	0.75	ns	5, 11
Data-out low-impedance time from CK, /CK	tLZ	-0.7	0.7	-0.75	0.75	-0.75	0.75	ns	6, 11
Read preamble	tRPRE	0.9	1.1	0.9	1.1	0.9	1.1	tCK	
Read postamble	tRPST	0.4	0.6	0.4	0.6	0.4	0.6	tCK	
DQ and DM input setup time	tDS	0.45	—	0.5	—	0.5	—	ns	8
DQ and DM input hold time	tDH	0.45	—	0.5	—	0.5	—	ns	8
DQ and DM input pulse width	tDIPW	1.75	—	1.75	—	1.75	—	ns	7
Write preamble setup time	tWPRES	0	—	0	—	0	—	ns	
Write preamble	tWPRE	0.25	—	0.25	—	0.25	—	tCK	
Write postamble	tWPST	0.4	0.6	0.4	0.6	0.4	0.6	tCK	9
Write command to first DQS latching transition	tDQSS	0.75	1.25	0.75	1.25	0.75	1.25	tCK	
DQS falling edge to CK setup time	tDSS	0.2	—	0.2	—	0.2	—	tCK	
DQS falling edge hold time from CK	tDSH	0.2	—	0.2	—	0.2	—	tCK	
DQS input high pulse width	tDQSH	0.35	—	0.35	—	0.35	—	tCK	
DQS input low pulse width	tDQSL	0.35	—	0.35	—	0.35	—	tCK	
Address and control input setup time	tIS	0.75	—	0.9	—	0.9	—	ns	8
Address and control input hold time	tIH	0.75	—	0.9	—	0.9	—	ns	8
Address and control input pulse width	tIPW	2.2	—	2.2	—	2.2	—	ns	7
Mode register set command cycle time	tMRD	2	—	2	—	2	—	tCK	
Active to Precharge command period	tRAS	42	120000	45	120000	45	120000	ns	
Active to Active/Auto-refresh command period	tRC	60	—	65	—	65	—	ns	
Auto-refresh to Active/Auto-refresh command period	tRFC	72	—	75	—	75	—	ns	
Active to Read/Write delay	tRCD	18	—	20	—	20	—	ns	
Precharge to active command period	tRP	18	—	20	—	20	—	ns	
Active to Autoprecharge delay	tRAP	tRCD min.	—	tRCD min.	—	tRCD min.	—	ns	
Active to active command period	tRRD	12	—	15	—	15	—	ns	

Parameter	Symbol	-6B		-7A		-7B		Unit	Notes
		min.	max.	min.	max.	min.	max.		
Write recovery time	tWR	15	—	15	—	15	—	ns	
Auto precharge write recovery and precharge time	tDAL	(tWR/tCK)+(tRP/tCK)		(tWR/tCK)+(tRP/tCK)		(tWR/tCK)+(tRP/tCK)		tCK	13
Internal write to Read command delay	tWTR	1	—	1	—	1	—	tCK	
Average periodic refresh interval	tREF	—	7.8	—	7.8	—	7.8	μs	

Notes: 1. On all AC measurements, we assume the test conditions shown in the next page. For timing parameter definitions, see 'Timing Waveforms' section.

2. This parameter defines the signal transition delay from the cross point of CK and /CK. The signal transition is defined to occur when the signal level crossing VTT.
3. The timing reference level is VTT.
4. Output valid window is defined to be the period between two successive transition of data out or DQS (read) signals. The signal transition is defined to occur when the signal level crossing VTT.
5. tHZ is defined as DOUT transition delay from Low-Z to High-Z at the end of read burst operation. The timing reference is cross point of CK and /CK. This parameter is not referred to a specific DOUT voltage level, but specify when the device output stops driving.
6. tLZ is defined as DOUT transition delay from High-Z to Low-Z at the beginning of read operation. This parameter is not referred to a specific DOUT voltage level, but specify when the device output begins driving.
7. Input valid windows is defined to be the period between two successive transition of data input or DQS (write) signals. The signal transition is defined to occur when the signal level crossing VREF.
8. The timing reference level is VREF.
9. The transition from Low-Z to High-Z is defined to occur when the device output stops driving. A specific reference voltage to judge this transition is not given.
10. tCK (max.) is determined by the lock range of the DLL. Beyond this lock range, the DLL operation is not assured.
11. tCK = tCK (min) when these parameters are measured. Otherwise, absolute minimum values of these values are 10% of tCK.
12. VDD is assumed to be 2.6V ± 0.1V (DDR400), 2.5V ± 0.2V (DDR333, 266). VDD power supply variation per cycle expected to be less than 0.4V/400 cycle.
13. tDAL = (tWR/tCK)+(tRP/tCK)

For each of the terms above, if not already an integer, round to the next highest integer.

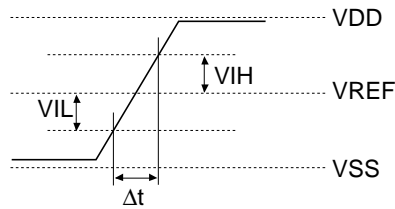
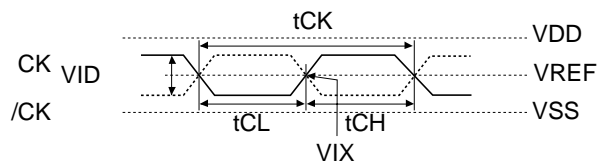
Example: For -5C Speed at CL = 3, tCK = 5ns, tWR = 15ns and tRP= 18ns,

$$tDAL = (15ns/5ns) + (18ns/5ns) = (3) + (4)$$

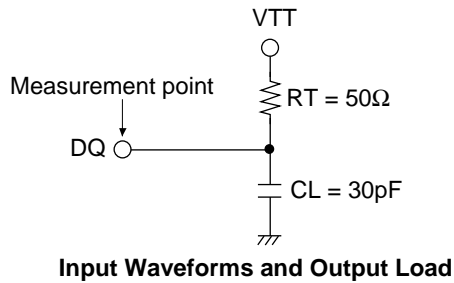
$$tDAL = 7 \text{ clocks}$$

**Test Conditions**

Parameter	Symbol	Value	Unit
Input reference voltage	VREF	VDDQ/2	V
Termination voltage	VTT	VREF	V
Input high voltage	VIH (AC)	VREF + 0.31	V
Input low voltage	VIL (AC)	VREF - 0.31	V
Input differential voltage, CK and /CK inputs	VID (AC)	0.62	V
Input differential cross point voltage, CK and /CK inputs	VIX (AC)	VREF	V
Input signal slew rate	SLEW	1	V/ns



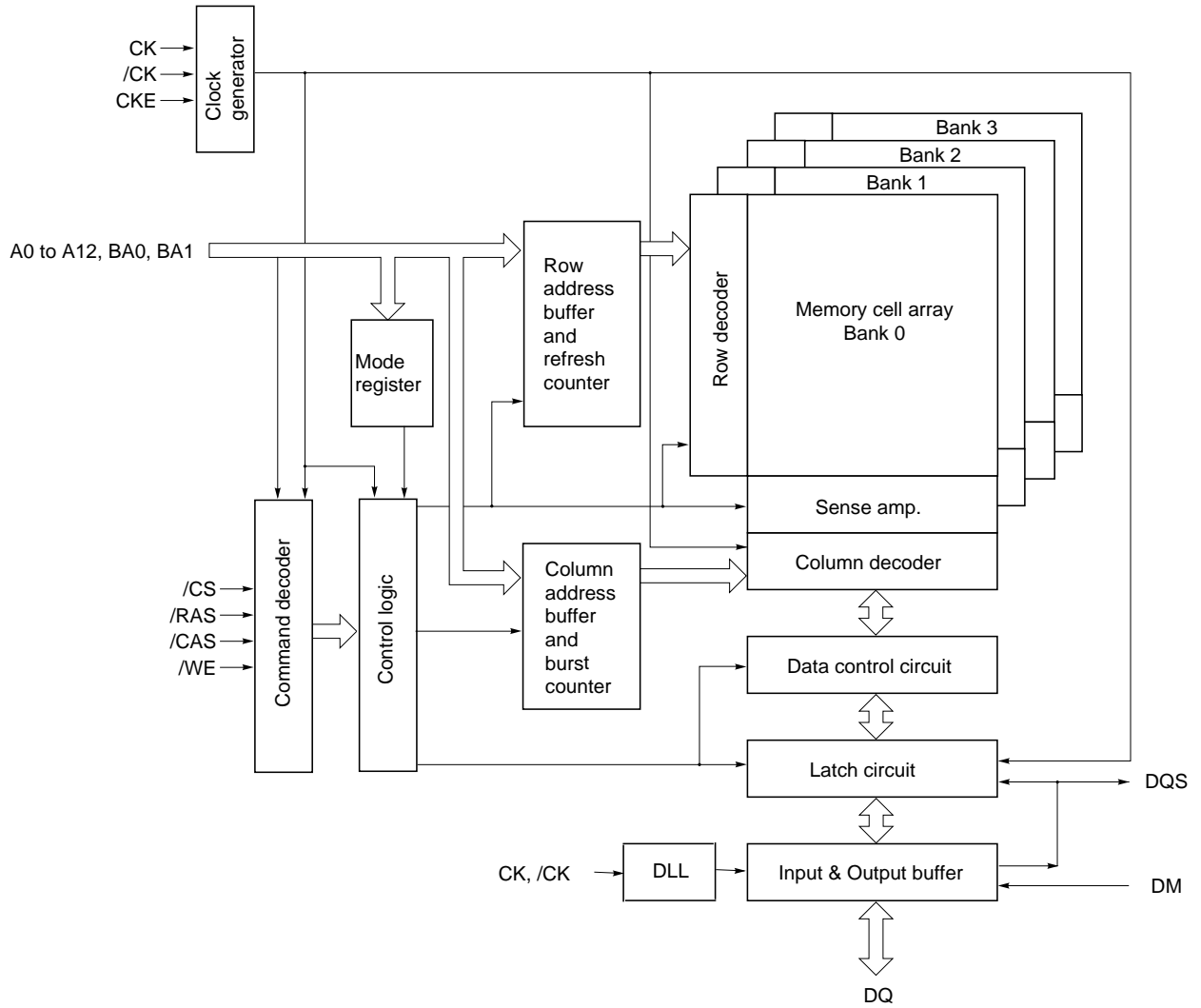
$$SLEW = (VIH (AC) - VIL (AC)) / \Delta t$$



Timing Parameter Measured in Clock Cycle

tCK	Parameter	Symbol	Number of clock cycle						Unit
			5ns		6ns		7.5ns		
			min.	max.	min.	max.	min.	max.	
	Write to pre-charge command delay (same bank)	tWPD	1 + BL/2 + tWR	—	1 + BL/2 + tWR	—	1 + BL/2 + tWR	—	tCK
	Read to pre-charge command delay (same bank)	tRPD	BL/2	—	BL/2	—	BL/2	—	tCK
	Write to read command delay (to input all data)	tWRD	1 + BL/2 + tWTR	—	1 + BL/2 + tWTR	—	1 + BL/2 + tWTR	—	tCK
	Burst stop command to write command delay (CL = 2)	tBSTW	—	—	—	—	2	—	tCK
	(CL = 2.5)	tBSTW	—	—	3	—	3	—	tCK
	(CL = 3)	tBSTW	3	—	3	—	3	—	tCK
	Burst stop command to DQ High-Z (CL = 2)	tBSTZ	—	—	—	—	2	2	tCK
	(CL = 2.5)	tBSTZ	—	—	2.5	2.5	2.5	2.5	tCK
	(CL = 3)	tBSTZ	3	3	3	3	3	3	tCK
	Read command to write command delay (to output all data) (CL = 2)	tRWD	—	—	—	—	2 + BL/2	—	tCK
	(CL = 2.5)	tRWD	—	—	3 + BL/2	—	3 + BL/2	—	tCK
	(CL = 3)	tRWD	3 + BL/2	—	3 + BL/2	—	3 + BL/2	—	tCK
	Pre-charge command to High-Z (CL = 2)	tHZP	—	—	—	—	2	2	tCK
	(CL = 2.5)	tHZP	—	—	2.5	2.5	2.5	2.5	tCK
	(CL = 3)	tHZP	3	3	3	3	3	3	tCK
	Write command to data in latency	tWCD	1	1	1	1	1	1	tCK
	Write recovery	tWR	3	—	3	—	2	—	tCK
	DM to data in latency	tDMD	0	0	0	0	0	0	tCK
	Self-refresh exit to non-read command	tSNR	15	—	12	—	10	—	tCK
	Self-refresh exit to read command	tSRD	200	—	200	—	200	—	tCK
	Power down entry	tPDEN	1	1	1	1	1	1	tCK
	Power down exit to command input	tPDEX	1	—	1	—	1	—	tCK
	Active to Precharge command period	tRAS	8	—	7	—	6	—	tCK
	Active to Active/Auto-refresh command period	tRC	11 (-5B) 12 (-5C)	—	10	—	9	—	tCK
	Auto-refresh to Active/Auto-refresh command period	tRFC	14	—	12	—	10	—	tCK
	Active to Read/Write delay	tRCD	3 (-5B) 4 (-5C)	—	3	—	3	—	tCK
	Precharge to active command period	tRP	3 (-5B) 4 (-5C)	—	3	—	3	—	tCK

Block Diagram



**Pin Function**

**CK, /CK (input pins)**

The CK and the /CK are the master clock inputs. All inputs except DM, DQS and DQs are referred to the cross point of the CK rising edge and the /CK falling edge. When a read operation, DQS and DQs are referred to the cross point of the CK and the /CK. When a write operation, DQS and DQs are referred to the cross point of the DQS and the VREF level. DQS for write operation is referred to the cross point of the CK and the /CK. CK is the master clock input to this pin. The other input signals are referred at CK rising edge.

**/CS (input pin)**

When /CS is low, commands and data can be input. When /CS is high, all inputs are ignored. However, internal operations (bank active, burst operations, etc.) are held.

**/RAS, /CAS, and /WE (input pins)**

These pins define operating commands (read, write, etc.) depending on the combinations of their voltage levels. See "Command operation".

**A0 to A12 (input pins)**

Row address (AX0 to AX12) is determined by the A0 to the A12 level at the cross point of the CK rising edge and the /CK falling edge in a bank active command cycle. Column address (See "Address Pins Table") is loaded via the A0 to the A9, and A11 at the cross point of the CK rising edge and the /CK falling edge in a read or a write command cycle. This column address becomes the starting address of a burst operation.

**[Address Pins Table]**

Part number	Address (A0 to A12)	
	Row address	Column address
EDD5108AFTA	AX0 to AX12	AY0 to AY9, AY11
EDD5116AFTA	AX0 to AX12	AY0 to AY9

**A10 (AP) (input pin)**

A10 defines the precharge mode when a precharge command, a read command or a write command is issued. If A10 = high when a precharge command is issued, all banks are precharged. If A10 = low when a precharge command is issued, only the bank that is selected by BA1/BA0 is precharged. If A10 = high when read or write command, auto-precharge function is enabled. While A10 = low, auto-precharge function is disabled.

**BA0 and BA1 (input pins)**

BA0, BA1 are bank select signals (BA). The memory array is divided into bank 0, bank 1, bank 2 and bank 3. (See Bank Select Signal Table)

**[Bank Select Signal Table]**

	BA0	BA1
Bank 0	L	L
Bank 1	H	L
Bank 2	L	H
Bank 3	H	H

Remark: H: VIH. L: VIL.

**CKE (input pin)**

This pin determines whether or not the next CK is valid. If CKE is high, the next CK rising edge is valid. If CKE is low, CKE controls power down and self-refresh. The power down and the self-refresh commands are entered when the CKE is driven low and exited when it resumes to high. CKE must be maintained high throughout read or write access.

The CKE level must be kept for 1 CK cycle at least, that is, if CKE changes at the cross point of the CK rising edge and the /CK falling edge with proper setup time tIS, by the next CK rising edge CKE level must be kept with proper hold time tIH.

**DM, LDM and UDM (input pins)**

DMs are the reference signals of the data input mask function. DMs are sampled at the cross point of DQS and VREF. DMs provide the byte mask function. When DM = high, the data input at the same timing are masked while the internal burst counter will be count up. In  $\times 16$  products, LDM controls the lower byte (DQ0 to DQ7) and UDM controls the upper byte (DQ8 to DQ15) of write data.

**DQ0 to DQ15 (input/output pins)**

Data is input to and output from these pins (DQ0 to DQ7; EDD5108AFTA, DQ0 to DQ15; EDD5116AFTA).

**DQS, LDQS and UDQS (input and output pins)**

DQS provides the read data strobes (as output) and the write data strobes (as input). In  $\times 16$  products, LDQS is the lower byte (DQ0 to DQ7) data strobe signal, UDQS is the upper byte (DQ8 to DQ15) data strobe signal.

**VDD, VSS, VDDQ, VSSQ (Power supply)**

VDD and VSS are power supply pins for internal circuits. VDDQ and VSSQ are power supply pins for the output buffers.

## Command Operation

### Command Truth Table

DDR SDRAM recognize the following commands specified by the /CS, /RAS, /CAS, /WE and address pins. All other combinations than those in the table below are illegal.

Command	Symbol	CKE		/CS	/RAS	/CAS	/WE	BA1	BA0	AP	Address
		n - 1	n								
Ignore command	DESL	H	H	H	×	×	×	×	×	×	×
No operation	NOP	H	H	L	H	H	H	×	×	×	×
Burst stop in read command	BST	H	H	L	H	H	L	×	×	×	×
Column address and read command	READ	H	H	L	H	L	H	V	V	L	V
Read with auto-precharge	READA	H	H	L	H	L	H	V	V	H	V
Column address and write command	WRIT	H	H	L	H	L	L	V	V	L	V
Write with auto-precharge	WRITA	H	H	L	H	L	L	V	V	H	V
Row address strobe and bank active	ACT	H	H	L	L	H	H	V	V	V	V
Precharge select bank	PRE	H	H	L	L	H	L	V	V	L	×
Precharge all bank	PALL	H	H	L	L	H	L	×	×	H	×
Refresh	REF	H	H	L	L	L	H	×	×	×	×
	SELF	H	L	L	L	L	H	×	×	×	×
Mode register set	MRS	H	H	L	L	L	L	L	L	L	V
	EMRS	H	H	L	L	L	L	L	H	L	V

Remark: H: VIH. L: VIL. ×: VIH or VIL V: Valid address input

Note: The CKE level must be kept for 1 CK cycle at least.

#### Ignore command [DESL]

When /CS is high at the cross point of the CK rising edge and the VREF level, every input are neglected and internal status is held.

#### No operation [NOP]

As long as this command is input at the cross point of the CK rising edge and the VREF level, address and data input are neglected and internal status is held.

#### Burst stop in read operation [BST]

This command stops a burst read operation, which is not applicable for a burst write operation.

#### Column address strobe and read command [READ]

This command starts a read operation. The start address of the burst read is determined by the column address (See "Address Pins Table" in Pin Function) and the bank select address. After the completion of the read operation, the output buffer becomes high-Z.

#### Read with auto-precharge [READA]

This command starts a read operation. After completion of the read operation, precharge is automatically executed.

#### Column address strobe and write command [WRIT]

This command starts a write operation. The start address of the burst write is determined by the column address (See "Address Pins Table" in Pin Function) and the bank select address.

#### Write with auto-precharge [WRITA]

This command starts a write operation. After completion of the write operation, precharge is automatically executed.



**Row address strobe and bank activate [ACT]**

This command activates the bank that is selected by BA0, BA1 and determines the row address (AX0 to AX12). (See Bank Select Signal Table)

**Precharge selected bank [PRE]**

This command starts precharge operation for the bank selected by BA0, BA1. (See Bank Select Signal Table)

**[Bank Select Signal Table]**

	BA0	BA1
Bank 0	L	L
Bank 1	H	L
Bank 2	L	H
Bank 3	H	H

Remark: H: VIH. L: VIL.

**Precharge all banks [PALL]**

This command starts a precharge operation for all banks.

**Refresh [REF/SELF]**

This command starts a refresh operation. There are two types of refresh operation, one is auto-refresh, and another is self-refresh. For details, refer to the CKE truth table section.

**Mode register set/Extended mode register set [MRS/EMRS]**

The DDR SDRAM has the two mode registers, the mode register and the extended mode register, to defines how it works. The both mode registers are set through the address pins (the A0 to the A12, BA0 to BA1) in the mode register set cycle. For details, refer to "Mode register and extended mode register set".

**CKE Truth Table**

Current state	Command	CKE		/CS	/RAS	/CAS	/WE	Address	Notes
		n - 1	n						
Idle	Auto-refresh command (REF)	H	H	L	L	L	H	×	2
Idle	Self-refresh entry (SELF)	H	L	L	L	L	H	×	2
Idle	Power down entry (PDEN)	H	L	L	H	H	H	×	
		H	L	H	×	×	×	×	
Self-refresh	Self-refresh exit (SELFX)	L	H	L	H	H	H	×	
		L	H	H	×	×	×	×	
Power down	Power down exit (PDEX)	L	H	L	H	H	H	×	
		L	H	H	×	×	×	×	

Remark: H: VIH. L: VIL. ×: VIH or VIL.

Notes: 1. All the banks must be in IDLE before executing this command.

2. The CKE level must be kept for 1 CK cycle at least.

Function Truth Table

The following tables show the operations that are performed when each command is issued in each state of the DDR SDRAM.

Current state	/CS	/RAS	/CAS	/WE	Address	Command	Operation	Next state
Precharging* <sup>1</sup>	H	×	×	×	×	DESL	NOP	Idle
	L	H	H	H	×	NOP	NOP	Idle
	L	H	H	L	×	BST	ILLEGAL* <sup>11</sup>	—
	L	H	L	H	BA, CA, A10	READ/READA	ILLEGAL* <sup>11</sup>	—
	L	H	L	L	BA, CA, A10	WRIT/WRITA	ILLEGAL* <sup>11</sup>	—
	L	L	H	H	BA, RA	ACT	ILLEGAL* <sup>11</sup>	—
	L	L	H	L	BA, A10	PRE, PALL	NOP	Idle
	L	L	L	×	×		ILLEGAL	—
Idle* <sup>2</sup>	H	×	×	×	×	DESL	NOP	Idle
	L	H	H	H	×	NOP	NOP	Idle
	L	H	H	L	×	BST	ILLEGAL* <sup>11</sup>	—
	L	H	L	H	BA, CA, A10	READ/READA	ILLEGAL* <sup>11</sup>	—
	L	H	L	L	BA, CA, A10	WRIT/WRITA	ILLEGAL* <sup>11</sup>	—
	L	L	H	H	BA, RA	ACT	Activating	Active
	L	L	H	L	BA, A10	PRE, PALL	NOP	Idle
	L	L	L	H	×	REF, SELF	Refresh/ Self-refresh* <sup>12</sup>	Idle/ Self-refresh
Refresh (auto-refresh)* <sup>3</sup>	L	L	L	L	MODE	MRS	Mode register set* <sup>12</sup>	Idle
	H	×	×	×	×	DESL	NOP	Idle
	L	H	H	H	×	NOP	NOP	Idle
	L	H	H	L	×	BST	ILLEGAL	—
	L	H	L	×	×		ILLEGAL	—
Activating* <sup>4</sup>	L	L	×	×	×		ILLEGAL	—
	H	×	×	×	×	DESL	NOP	Active
	L	H	H	H	×	NOP	NOP	Active
	L	H	H	L	×	BST	ILLEGAL* <sup>11</sup>	—
	L	H	L	H	BA, CA, A10	READ/READA	ILLEGAL* <sup>11</sup>	—
	L	H	L	L	BA, CA, A10	WRIT/WRITA	ILLEGAL* <sup>11</sup>	—
	L	L	H	H	BA, RA	ACT	ILLEGAL* <sup>11</sup>	—
	L	L	H	L	BA, A10	PRE, PALL	ILLEGAL* <sup>11</sup>	—
Active* <sup>5</sup>	L	L	L	×	×		ILLEGAL	—
	H	×	×	×	×	DESL	NOP	Active
	L	H	H	H	×	NOP	NOP	Active
	L	H	H	L	×	BST	ILLEGAL	Active
	L	H	L	H	BA, CA, A10	READ/READA	Starting read operation	Read/READA
	L	H	L	L	BA, CA, A10	WRIT/WRITA	Starting write operation	Write recovering/ precharging
	L	L	H	H	BA, RA	ACT	ILLEGAL* <sup>11</sup>	—
	L	L	H	L	BA, A10	PRE, PALL	Pre-charge	Idle
L	L	L	×	×		ILLEGAL	—	

Current state	/CS	/RAS	/CAS	/WE	Address	Command	Operation	Next state
Read* <sup>6</sup>	H	×	×	×	×	DESL	NOP	Active
	L	H	H	H	×	NOP	NOP	Active
	L	H	H	L	×	BST	BST	Active
	L	H	L	H	BA, CA, A10	READ/READA	Interrupting burst read operation to start new read	Active
	L	H	L	L	BA, CA, A10	WRIT/WRITA	ILLEGAL* <sup>13</sup>	—
	L	L	H	H	BA, RA	ACT	ILLEGAL* <sup>11</sup>	—
	L	L	H	L	BA, A10	PRE, PALL	Interrupting burst read operation to start pre-charge	Precharging
	L	L	L	×	×		ILLEGAL	—
Read with auto-pre-charge* <sup>7</sup>	H	×	×	×	×	DESL	NOP	Precharging
	L	H	H	H	×	NOP	NOP	Precharging
	L	H	H	L	×	BST	ILLEGAL	—
	L	H	L	H	BA, CA, A10	READ/READA	ILLEGAL* <sup>14</sup>	—
	L	H	L	L	BA, CA, A10	WRIT/WRITA	ILLEGAL* <sup>14</sup>	—
	L	L	H	H	BA, RA	ACT	ILLEGAL* <sup>11, 14</sup>	—
	L	L	H	L	BA, A10	PRE, PALL	ILLEGAL* <sup>11, 14</sup>	—
	L	L	L	×	×		ILLEGAL	—
Write* <sup>8</sup>	H	×	×	×	×	DESL	NOP	Write recovering
	L	H	H	H	×	NOP	NOP	Write recovering
	L	H	H	L	×	BST	ILLEGAL	—
	L	H	L	H	BA, CA, A10	READ/READA	Interrupting burst write operation to start read operation.	Read/ReadA
	L	H	L	L	BA, CA, A10	WRIT/WRITA	Interrupting burst write operation to start new write operation.	Write/WriteA
	L	L	H	H	BA, RA	ACT	ILLEGAL* <sup>11</sup>	—
	L	L	H	L	BA, A10	PRE, PALL	Interrupting write operation to start pre-charge.	Idle
	L	L	L	×	×		ILLEGAL	—
Write recovering* <sup>9</sup>	H	×	×	×	×	DESL	NOP	Active
	L	H	H	H	×	NOP	NOP	Active
	L	H	H	L	×	BST	ILLEGAL	—
	L	H	L	H	BA, CA, A10	READ/READA	Starting read operation.	Read/ReadA
	L	H	L	L	BA, CA, A10	WRIT/WRITA	Starting new write operation.	Write/WriteA
	L	L	H	H	BA, RA	ACT	ILLEGAL* <sup>11</sup>	—
	L	L	H	L	BA, A10	PRE/PALL	ILLEGAL* <sup>11</sup>	—
	L	L	L	×	×		ILLEGAL	—

Current state	/CS	/RAS	/CAS	/WE	Address	Command	Operation	Next state
Write with auto-pre-charge*10	H	×	×	×	×	DESL	NOP	Precharging
	L	H	H	H	×	NOP	NOP	Precharging
	L	H	H	L	×	BST	ILLEGAL	—
	L	H	L	H	BA, CA, A10	READ/READA	ILLEGAL*14	—
	L	H	L	L	BA, CA, A10	WRIT/WRIT A	ILLEGAL*14	—
	L	L	H	H	BA, RA	ACT	ILLEGAL*11, 14	—
	L	L	H	L	BA, A10	PRE, PALL	ILLEGAL*11, 14	—
	L	L	L	×	×		ILLEGAL	—

Remark: H: VIH. L: VIL. ×: VIH or VIL

- Notes:
- The DDR SDRAM is in "Precharging" state for tRP after precharge command is issued.
  - The DDR SDRAM reaches "IDLE" state tRP after precharge command is issued.
  - The DDR SDRAM is in "Refresh" state for tRFC after auto-refresh command is issued.
  - The DDR SDRAM is in "Activating" state for tRCD after ACT command is issued.
  - The DDR SDRAM is in "Active" state after "Activating" is completed.
  - The DDR SDRAM is in "READ" state until burst data have been output and DQ output circuits are turned off.
  - The DDR SDRAM is in "READ with auto-precharge" from READA command until burst data has been output and DQ output circuits are turned off.
  - The DDR SDRAM is in "WRITE" state from WRIT command to the last burst data are input.
  - The DDR SDRAM is in "Write recovering" for tWR after the last data are input.
  - The DDR SDRAM is in "Write with auto-precharge" until tWR after the last data has been input.
  - This command may be issued for other banks, depending on the state of the banks.
  - All banks must be in "IDLE".
  - Before executing a write command to stop the preceding burst read operation, BST command must be issued.
  - The DDR SDRAM supports the concurrent auto-precharge feature, a read with auto-precharge enabled, or a write with auto-precharge enabled, may be followed by any column command to other banks, as long as that command does not interrupt the read or write data transfer, and all other related limitations apply. (E.g. Conflict between READ data and WRITE data must be avoided.)

The minimum delay from a read or write command with auto precharge enabled, to a command to a different bank, is summarized below.

From command	To command (different bank, non-interrupting command)	Minimum delay (Concurrent AP supported)	Units
Read w/AP	Read or Read w/AP	BL/2	tCK
	Write or Write w/AP	CL(rounded up)+ (BL/2)	tCK
	Precharge or Activate	1	tCK
Write w/AP	Read or Read w/AP	1 + (BL/2) + tWTR	tCK
	Write or Write w/AP	BL/2	tCK
	Precharge or Activate	1	tCK

**Command Truth Table for CKE**

Current State	CKE							Operation	Notes
	n – 1	n	/CS	/RAS	/CAS	/WE	Address		
Self-refresh	H	x	x	x	x	x	x	INVALID, CK (n-1) would exit self-refresh	
	L	H	H	x	x	x	x	Self-refresh recovery	
	L	H	L	H	H	x	x	Self-refresh recovery	
	L	H	L	H	L	x	x	ILLEGAL	
	L	H	L	L	x	x	x	ILLEGAL	
	L	L	x	x	x	x	x	Maintain self-refresh	
Self-refresh recovery	H	H	H	x	x	x	x	Idle after tRC	
	H	H	L	H	H	x	x	Idle after tRC	
	H	H	L	H	L	x	x	ILLEGAL	
	H	H	L	L	x	x	x	ILLEGAL	
	H	L	H	x	x	x	x	ILLEGAL	
	H	L	L	H	H	x	x	ILLEGAL	
	H	L	L	H	L	x	x	ILLEGAL	
	H	L	L	L	x	x	x	ILLEGAL	
Power down	H	x	x	x	x	x		INVALID, CK (n – 1) would exit power down	
	L	H	H	x	x	x	x	EXIT power down → Idle	
	L	H	L	H	H	H	x		
	L	L	x	x	x	x	x	Maintain power down mode	
All banks idle	H	H	H	x	x	x		Refer to operations in Function Truth Table	
	H	H	L	H	x	x		Refer to operations in Function Truth Table	
	H	H	L	L	H	x		Refer to operations in Function Truth Table	
	H	H	L	L	L	H	x	CBR (auto) refresh	
	H	H	L	L	L	L	OPCODE	Refer to operations in Function Truth Table	
	H	L	H	x	x	x		Refer to operations in Function Truth Table	
	H	L	L	H	x	x		Refer to operations in Function Truth Table	
	H	L	L	L	H	x		Refer to operations in Function Truth Table	
	H	L	L	L	L	H	x	Self-refresh	1
	H	L	L	L	L	L	OPCODE	Refer to operations in Function Truth Table	
	L	x	x	x	x	x	x	Power down	1
	Row active	H	x	x	x	x	x	x	Refer to operations in Function Truth Table
L		x	x	x	x	x	x	Power down	1

Remark: H: VIH. L: VIL. x: VIH or VIL

Note: 1. Self-refresh can be entered only from the all banks idle state. Power down can be entered only from all banks idle or row active state.

**Auto-refresh command [REF]**

This command executes auto-refresh. The banks and the ROW addresses to be refreshed are internally determined by the internal refresh controller. The average refresh cycle is 7.8  $\mu$ s. The output buffer becomes high-Z after auto-refresh start. Precharge has been completed automatically after the auto-refresh. The ACT or MRS command can be issued tRFC after the last auto-refresh command.

**Self-refresh entry [SELF]**

This command starts self-refresh. The self-refresh operation continues as long as CKE is held low. During the self-refresh operation, all ROW addresses are repeated refreshing by the internal refresh controller. A self-refresh is terminated by a self-refresh exit command.

**Power down mode entry [PDEN]**

tPDEN (= 1 cycle) after the cycle when [PDEN] is issued. The DDR SDRAM enters into power-down mode. In power down mode, power consumption is suppressed by deactivating the input initial circuit. Power down mode continues while CKE is held low. No internal refresh operation occurs during the power down mode. [PDEN] do not disable DLL.

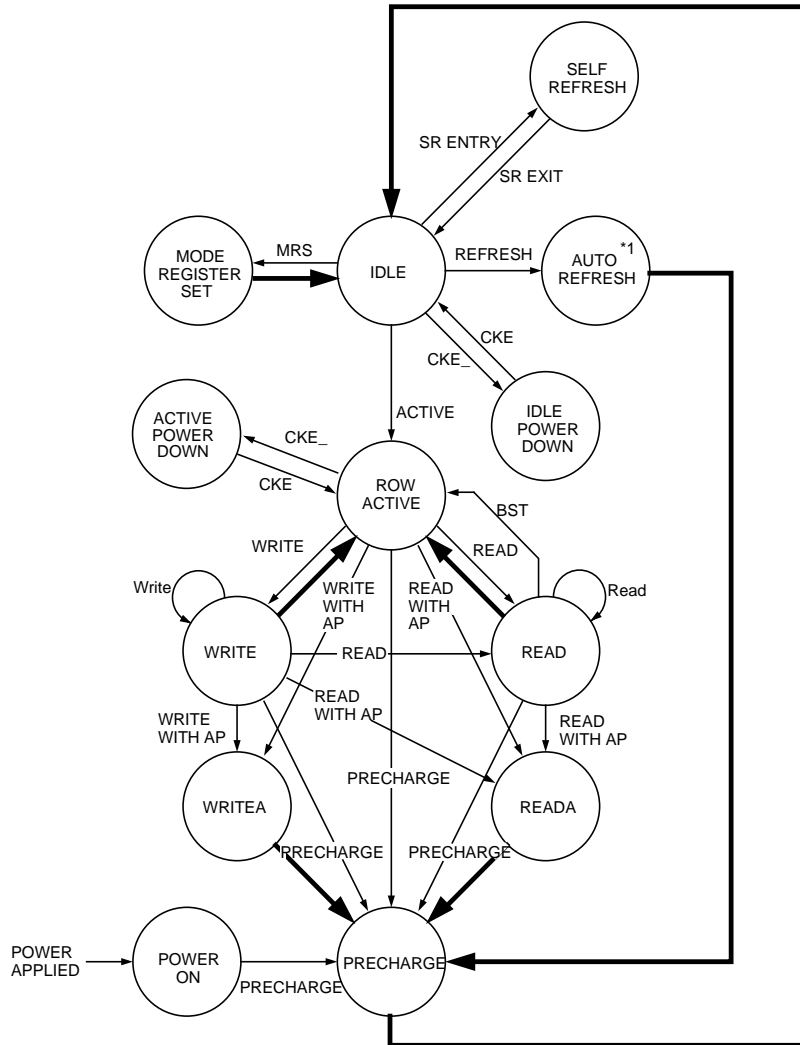
**Self-refresh exit [SELFX]**

This command is executed to exit from self-refresh mode. To issue non-read commands, tSNR has to be satisfied. To issue read command, tSRD has to be satisfied to adjust DOUT timing by DLL. (200 cycles after [SELFX]) After the exit, input auto-refresh command within 7.8  $\mu$ s.

**Power down exit [PDEX]**

The DDR SDRAM can exit from power down mode tPDEX (1 cycle min.) after the cycle when [PDEX] is issued.

Simplified State Diagram



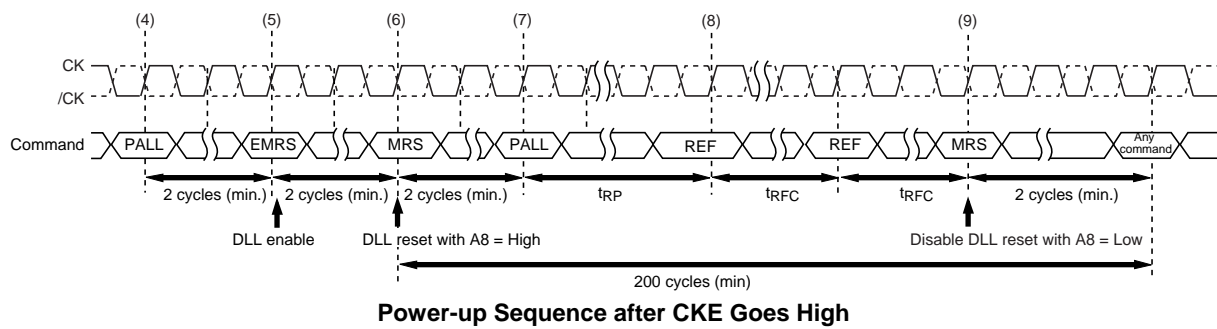
- Automatic transition after completion of command.
- Transition resulting from command input.

Note: 1. After the auto-refresh operation, precharge operation is performed automatically and enter the IDLE state.

**Operation of the DDR SDRAM**

**Power-up Sequence**

- (1) Apply power and maintain CKE at an LVCMOS low state (all other inputs are undefined).  
Apply VDD before or at the same time as VDDQ.  
Apply VDDQ before or at the same time as VTT and VREF.
- (2) Start clock and maintain stable condition for a minimum of 200  $\mu$ s.
- (3) After the minimum 200  $\mu$ s of stable power and clock (CK, /CK), apply NOP and take CKE high.
- (4) Issue precharge all command for the device.
- (5) Issue EMRS to enable DLL.
- (6) Issue a mode register set command (MRS) for "DLL reset" with bit A8 set to high (An additional 200 cycles of clock input is required to lock the DLL after every DLL reset).
- (7) Issue precharge all command for the device.
- (8) Issue 2 or more auto-refresh commands.
- (9) Issue a mode register set command to initialize device operation with bit A8 set to low in order to avoid resetting the DLL.





**Mode Register and Extended Mode Register Set**

There are two mode registers, the mode register and the extended mode register so as to define the operating mode. Parameters are set to both through the A0 to the A12 and BA0, BA1 pins by the mode register set command [MRS] or the extended mode register set command [EMRS]. The mode register and the extended mode register are set by inputting signal via the A0 to the A12 and BA0, BA1 during mode register set cycles. BA0 and BA1 determine which one of the mode register or the extended mode register are set. Prior to a read or a write operation, the mode register must be set.

Remind that no other parameters shown in the table below are allowed to input to the registers.

BA0	BA1	A12	A11	A10	A9	A8	A7	A6	A5	A4	A3	A2	A1	A0
0	0	0	0	0	0	DR	0	LMODE			BT	BL		

MRS

A8	DLL Reset	A6	A5	A4	CAS Latency	A3	Burst Type	A2	A1	A0	Burst Length
0	No	0	0	0	Reserved	0	Sequential	0	0	0	Reserved
1	Yes	0	0	1	Reserved	1	Interleave	0	0	1	2
		0	1	0	2			0	1	0	4
		0	1	1	3			0	1	1	8
		1	0	0	Reserved			1	0	0	Reserved
		1	0	1	Reserved			1	0	1	Reserved
		1	1	0	2.5			1	1	0	Reserved
		1	1	1	Reserved			1	1	1	Reserved

**Mode Register Set [MRS] (BA0 = 0, BA1 = 0)**

BA0	BA1	A12	A11	A10	A9	A8	A7	A6	A5	A4	A3	A2	A1	A0
1	0	0	0	0	0	0	0	0	0	0	0	0	DS	DLL

EMRS

A1	Driver Strength	A0	DLL Control
0	Normal	0	DLL Enable
1	Weak	1	DLL Disable

**Extended Mode Register Set [EMRS] (BA0 = 1, BA1 = 0)**

**Burst Operation**

The burst type (BT) and the first three bits of the column address determine the order of a data out.

Burst length = 2

Starting Ad.	Addressing(decimal)	
A0	Sequence	Interleave
0	0, 1,	0, 1,
1	1, 0,	1, 0,

Burst length = 4

Starting Ad.		Addressing(decimal)	
A1	A0	Sequence	Interleave
0	0	0, 1, 2, 3,	0, 1, 2, 3,
0	1	1, 2, 3, 0,	1, 0, 3, 2,
1	0	2, 3, 0, 1,	2, 3, 0, 1,
1	1	3, 0, 1, 2,	3, 2, 1, 0,

Burst length = 8

Starting Ad.			Addressing(decimal)	
A2	A1	A0	Sequence	Interleave
0	0	0	0, 1, 2, 3, 4, 5, 6, 7,	0, 1, 2, 3, 4, 5, 6, 7,
0	0	1	1, 2, 3, 4, 5, 6, 7, 0,	1, 0, 3, 2, 5, 4, 7, 6,
0	1	0	2, 3, 4, 5, 6, 7, 0, 1,	2, 3, 0, 1, 6, 7, 4, 5,
0	1	1	3, 4, 5, 6, 7, 0, 1, 2,	3, 2, 1, 0, 7, 6, 5, 4,
1	0	0	4, 5, 6, 7, 0, 1, 2, 3,	4, 5, 6, 7, 0, 1, 2, 3,
1	0	1	5, 6, 7, 0, 1, 2, 3, 4,	5, 4, 7, 6, 1, 0, 3, 2,
1	1	0	6, 7, 0, 1, 2, 3, 4, 5,	6, 7, 4, 5, 2, 3, 0, 1,
1	1	1	7, 0, 1, 2, 3, 4, 5, 6,	7, 6, 5, 4, 3, 2, 1, 0,

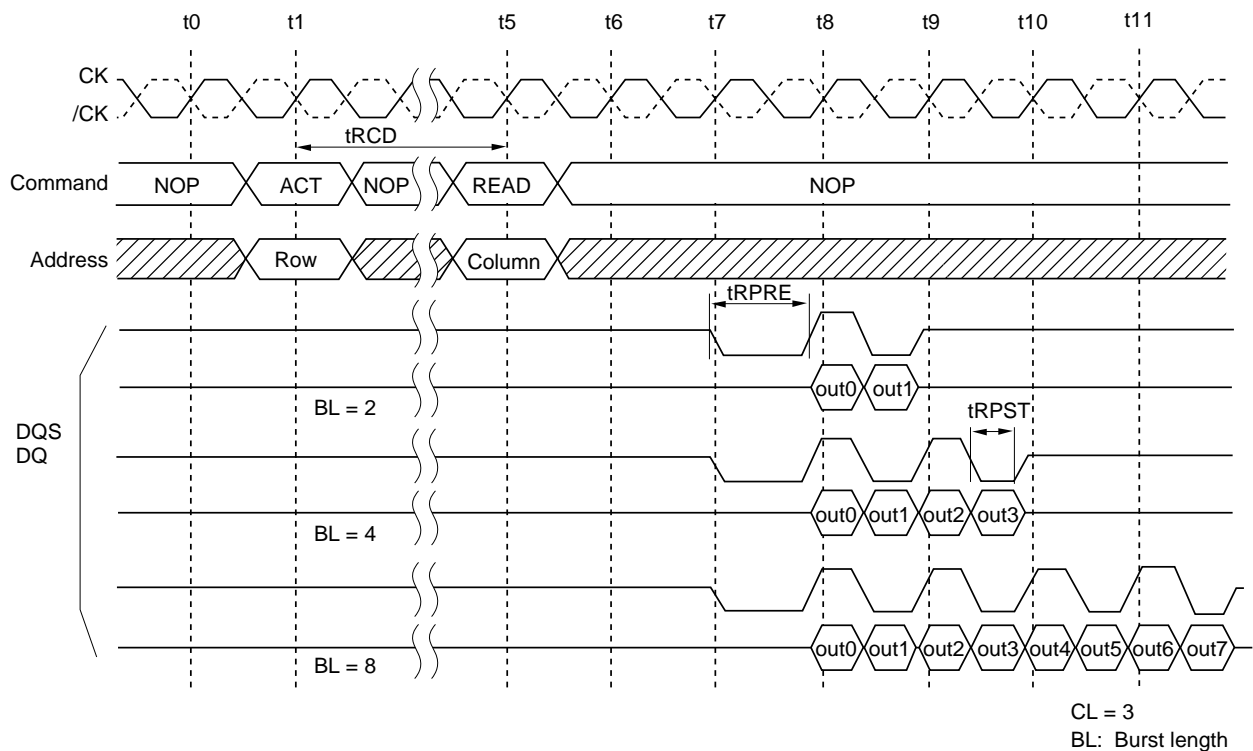
**Read/Write Operations**

**Bank active**

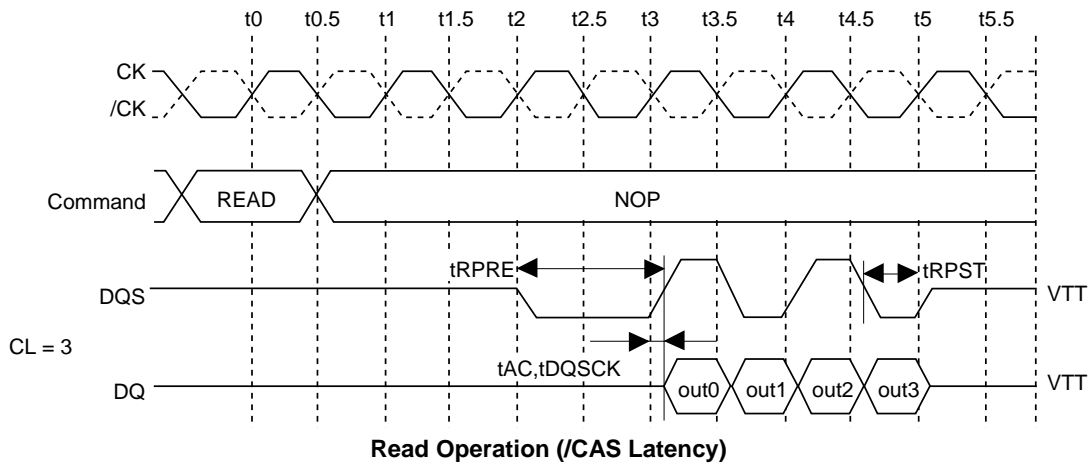
A read or a write operation begins with the bank active command [ACT]. The bank active command determines a bank address and a row address. For the bank and the row, a read or a write command can be issued  $t_{RCD}$  after the ACT is issued.

**Read operation**

The burst length (BL), the /CAS latency (CL) and the burst type (BT) of the mode register are referred when a read command is issued. The burst length (BL) determines the length of a sequential output data by the read command that can be set to 2, 4, or 8. The starting address of the burst read is defined by the column address, the bank select address which are loaded via the A0 to A12 and BA0, BA1 pins in the cycle when the read command is issued. The data output timing are characterized by CL and  $t_{AC}$ . The read burst start  $CL \cdot t_{CK} + t_{AC}$  (ns) after the clock rising edge where the read command are latched. The DDR SDRAM output the data strobe through DQS simultaneously with data.  $t_{RPRE}$  prior to the first rising edge of the data strobe, the DQS are driven low from VTT level. This low period of DQS is referred as read preamble. The burst data are output coincidentally at both the rising and falling edge of the data strobe. The DQ pins become High-Z in the next cycle after the burst read operation completed.  $t_{RPST}$  from the last falling edge of the data strobe, the DQS pins become High-Z. This low period of DQS is referred as read postamble.



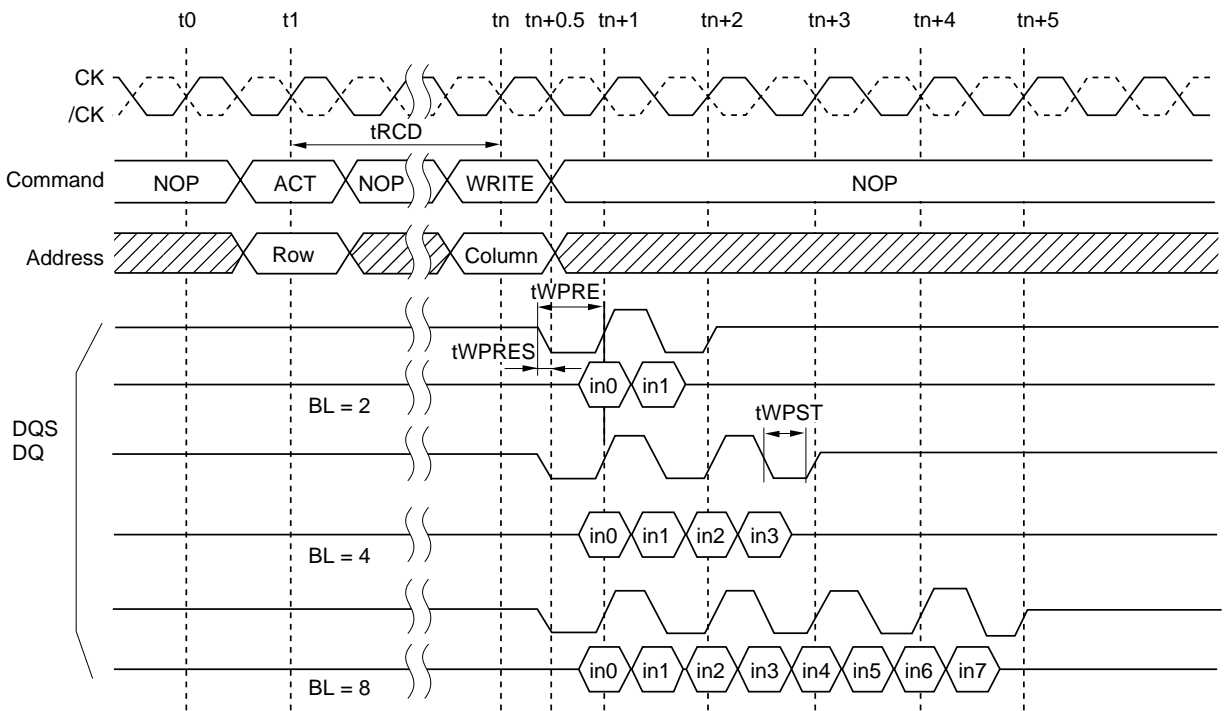
**Read Operation (Burst Length)**



Read Operation (/CAS Latency)

**Write operation**

The burst length (BL) and the burst type (BT) of the mode register are referred when a write command is issued. The burst length (BL) determines the length of a sequential data input by the write command that can be set to 2, 4, or 8. The latency from write command to data input is fixed to 1. The starting address of the burst read is defined by the column address, the bank select address which are loaded via the A0 to A12, BA0 to BA1 pins in the cycle when the write command is issued. DQS should be input as the strobe for the input-data and DM as well during burst operation.  $t_{WPRE}$  prior to the first rising edge of the DQS should be set to low and  $t_{WPST}$  after the last falling edge of the data strobe can be set to High-Z. The leading low period of DQS is referred as write preamble. The last low period of DQS is referred as write postamble.



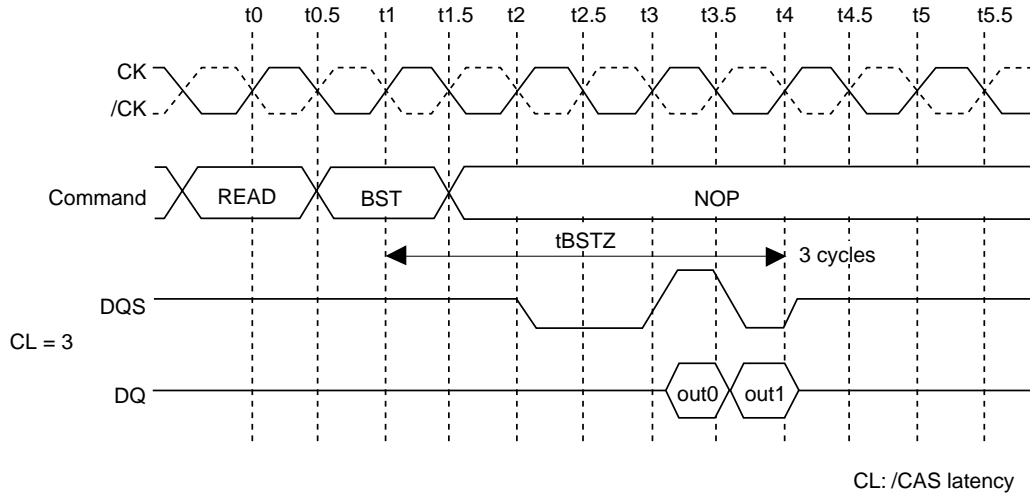
BL: Burst length

Write Operation

**Burst Stop**

**Burst stop command during burst read**

The burst stop (BST) command is used to stop data output during a burst read. The BST command stops the burst read and sets the output buffer to High-Z.  $t_{BSTZ}$  ( $= CL$ ) cycles after a BST command issued, the DQ pins become High-Z. The BST command is not supported for the burst write operation. Note that bank address is not referred when this command is executed.

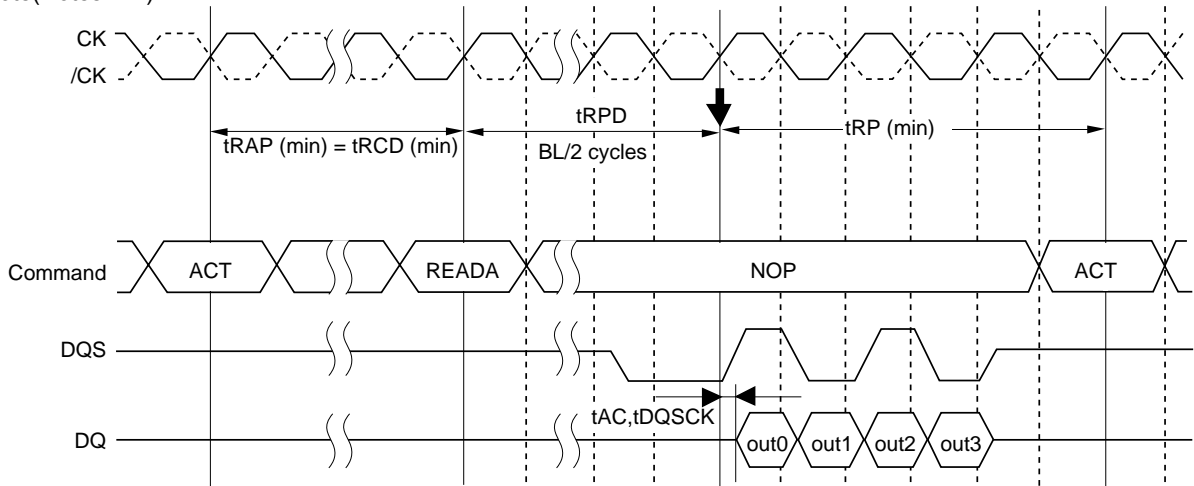


**Burst Stop during a Read Operation**

**Auto Precharge**

**Read with auto-precharge**

The precharge is automatically performed after completing a read operation. The precharge starts  $t_{RPD}$  ( $BL/2$ ) cycle after READA command input.  $t_{RAP}$  specification for READA allows a read command with auto precharge to be issued to a bank that has been activated (opened) but has not yet satisfied the  $t_{RAS}$  (min) specification. A column command to the other active bank can be issued the next cycle after the last data output. Read with auto-precharge command does not limit row commands execution for other bank. Refer to 'Function truth table and related note(Notes.\*14)'.

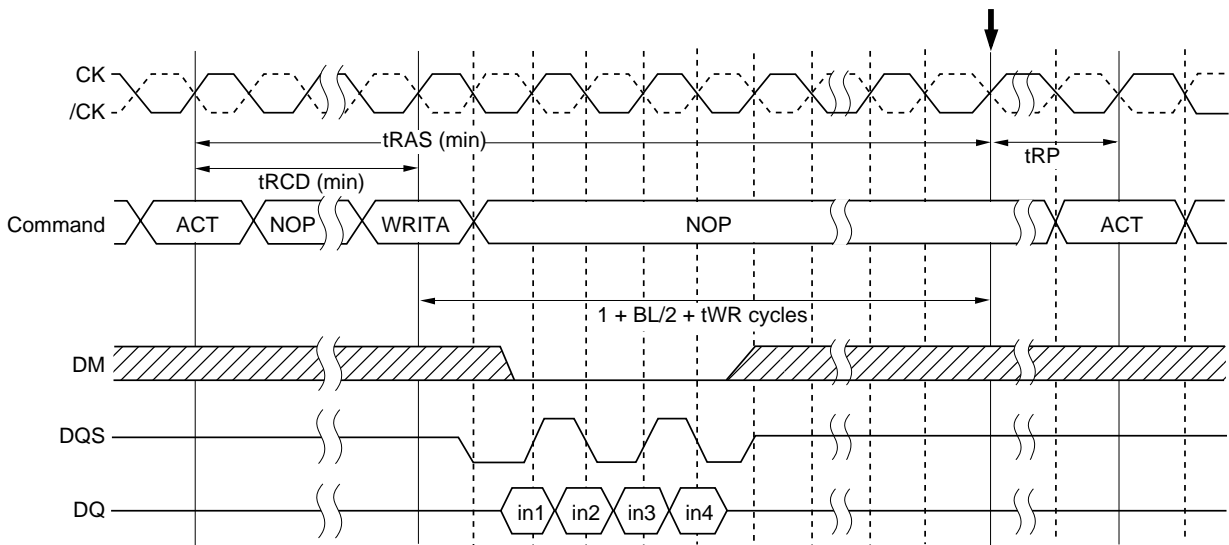


Note: Internal auto-precharge starts at the timing indicated by "↓".

**Read with auto-precharge**

**Write with auto-precharge**

The precharge is automatically performed after completing a burst write operation. The precharge operation is started  $(1 + BL/2 + t_{WR})$  cycles after WRITA command issued. A column command to the other banks can be issued the next cycle after the internal precharge command issued. Write with auto-precharge command does not limit row commands execution for other bank. Refer to the 'Read with Auto-Precharge Enabled, Write with Auto-Precharge Enabled' section. Refer to 'Function truth table and related note(Notes.\*14)'.



Note: Internal auto-precharge starts at the timing indicated by "↓".

BL = 4

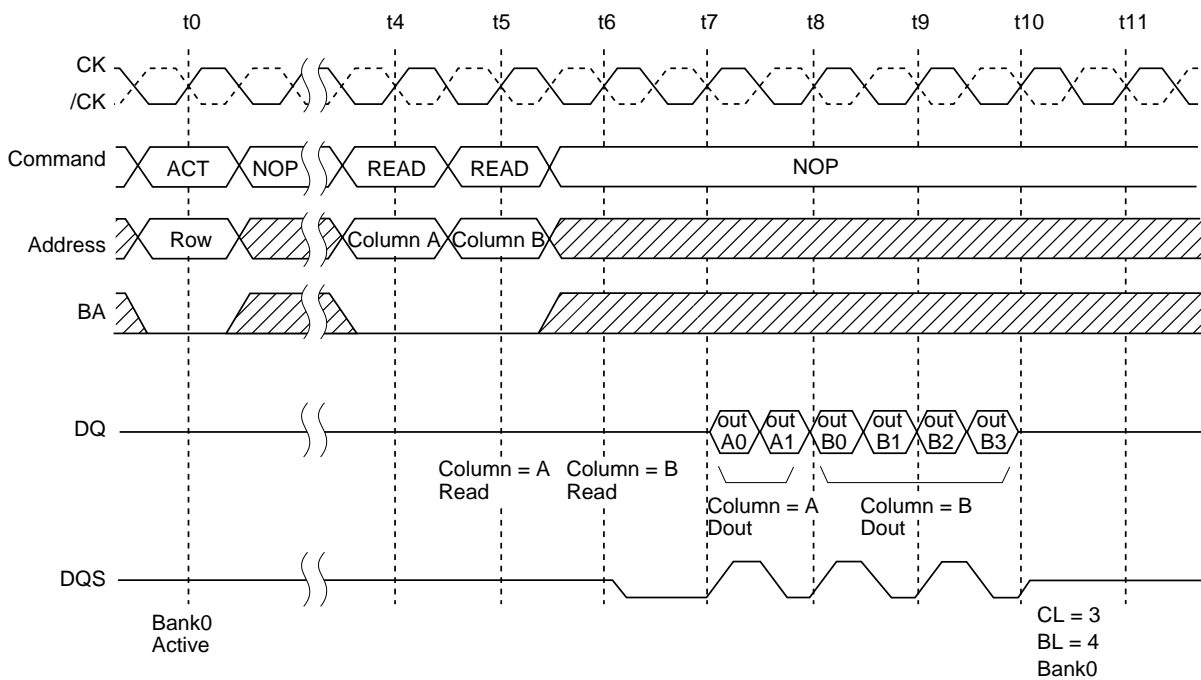
**Burst Write (BL = 4)**

Command Intervals

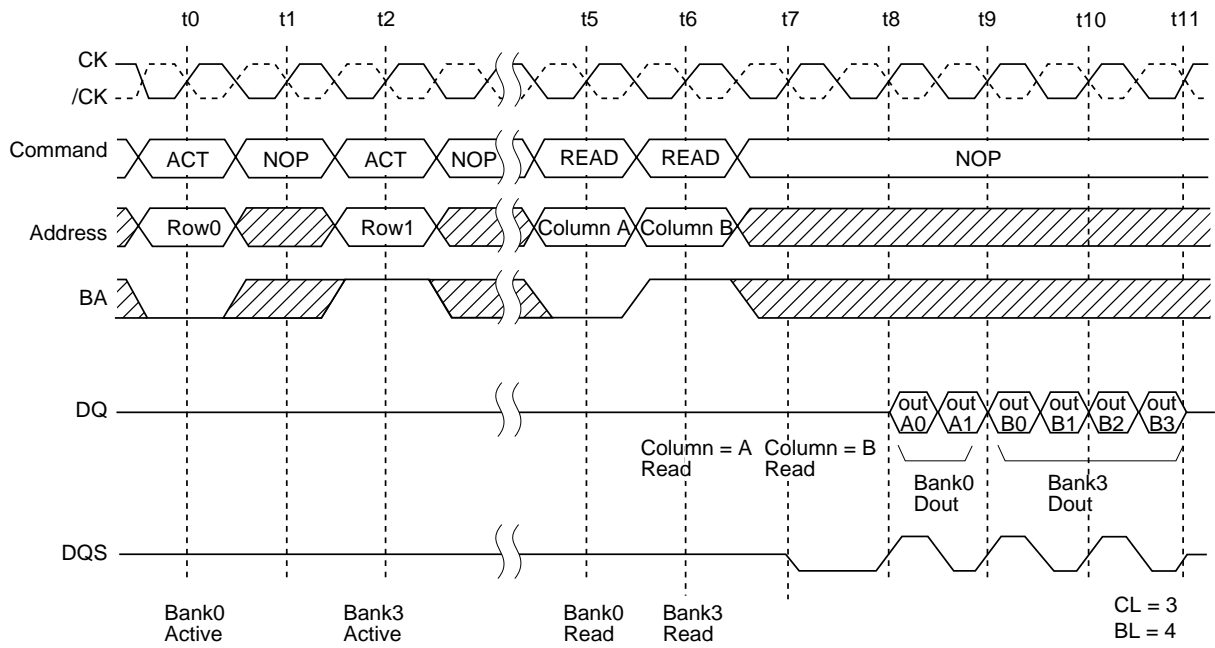
A Read command to the consecutive Read command Interval

Destination row of the consecutive read command

Bank address	Row address	State	Operation
1. Same	Same	ACTIVE	The consecutive read can be performed after an interval of no less than 1 cycle to interrupt the preceding read operation.
2. Same	Different	—	Precharge the bank to interrupt the preceding read operation. tRP after the precharge command, issue the ACT command. tRCD after the ACT command, the consecutive read command can be issued. See 'A read command to the consecutive precharge interval' section.
3. Different	Any	ACTIVE	The consecutive read can be performed after an interval of no less than 1 cycle to interrupt the preceding read operation.
		IDLE	Precharge the bank without interrupting the preceding read operation. tRP after the precharge command, issue the ACT command. tRCD after the ACT command, the consecutive read command can be issued.



READ to READ Command Interval (same ROW address in the same bank)



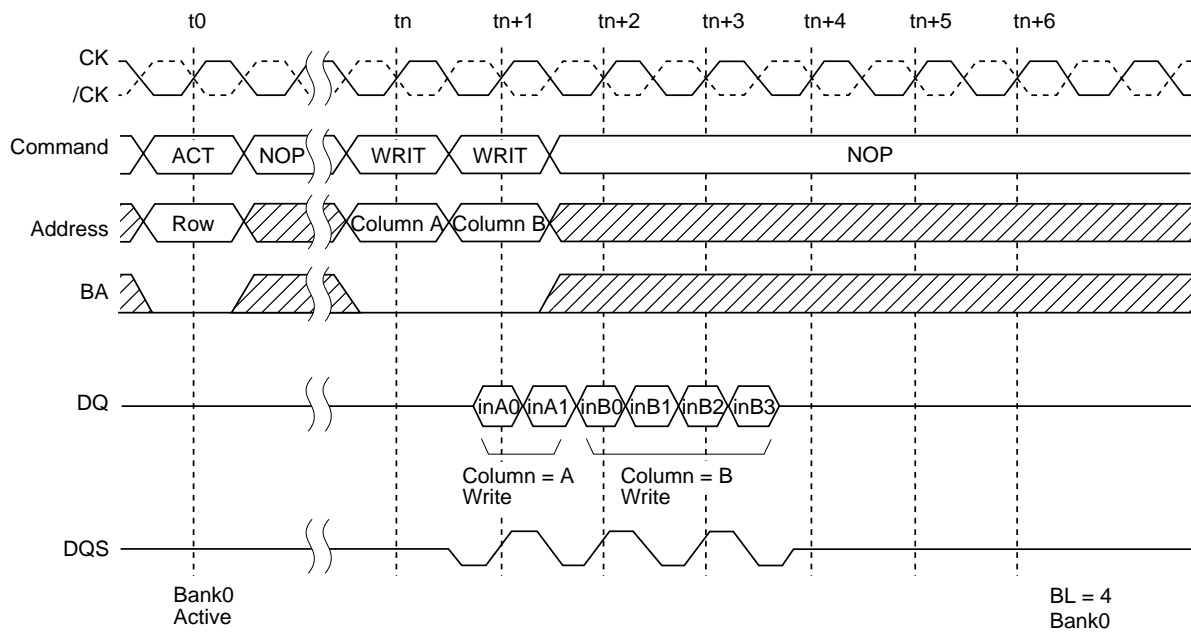
READ to READ Command Interval (different bank)



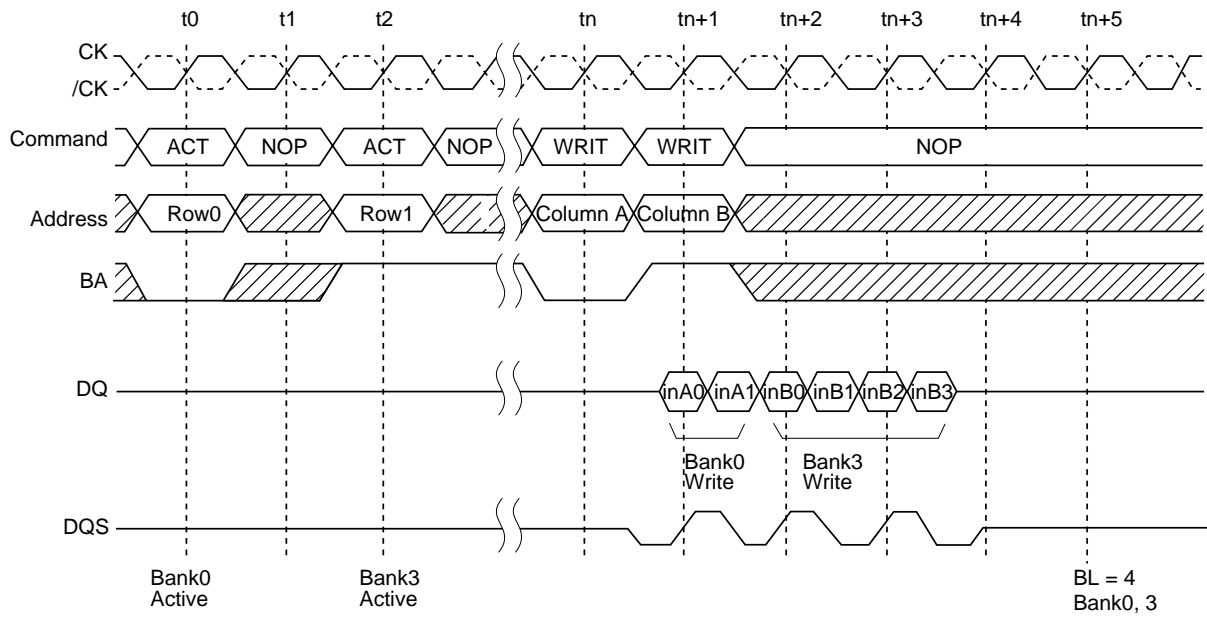
**A Write command to the consecutive Write command Interval**

Destination row of the consecutive write command

Bank address	Row address	State	Operation
1. Same	Same	ACTIVE	The consecutive write can be performed after an interval of no less than 1 cycle to interrupt the preceding write operation.
2. Same	Different	—	Precharge the bank to interrupt the preceding write operation. tRP after the precharge command, issue the ACT command. tRCD after the ACT command, the consecutive write command can be issued. See 'A write command to the consecutive precharge interval' section.
3. Different	Any	ACTIVE	The consecutive write can be performed after an interval of no less than 1 cycle to interrupt the preceding write operation.
		IDLE	Precharge the bank without interrupting the preceding write operation. tRP after the precharge command, issue the ACT command. tRCD after the ACT command, the consecutive write command can be issued.



**WRITE to WRITE Command Interval (same ROW address in the same bank)**

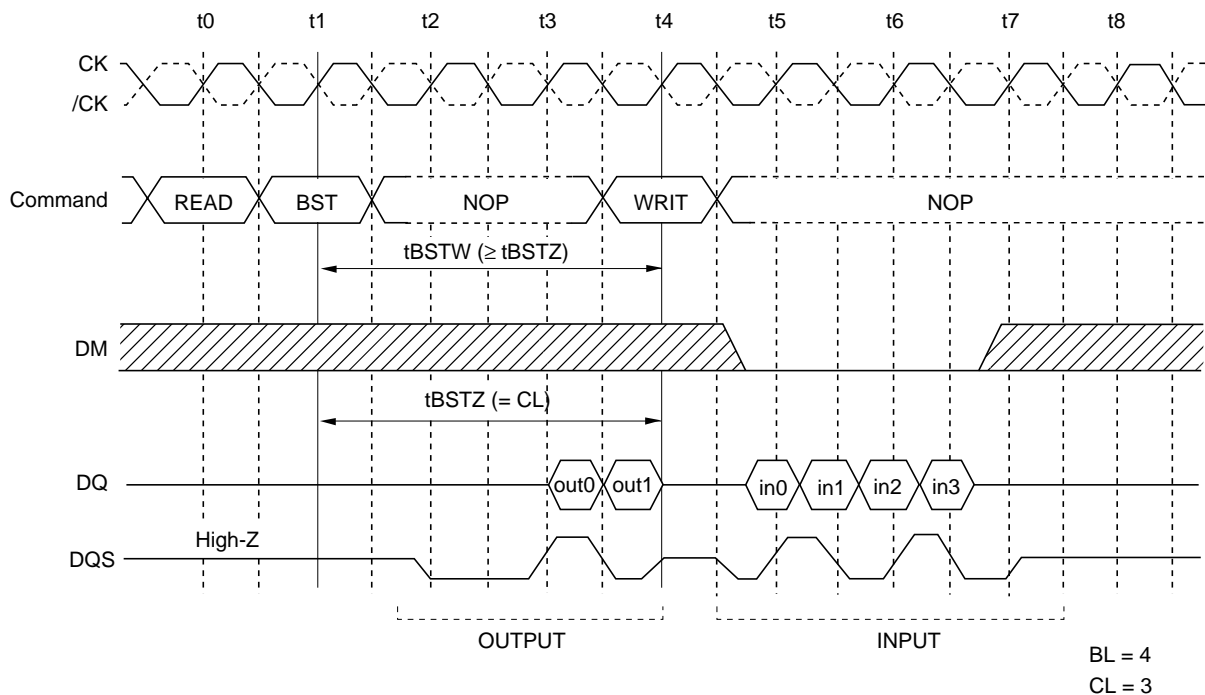


**WRITE to WRITE Command Interval (different bank)**

**A Read command to the consecutive Write command interval with the BST command**

Destination row of the consecutive write command

Bank address	Row address	State	Operation
1. Same	Same	ACTIVE	Issue the BST command. $t_{BSTW} (\geq t_{BSTZ})$ after the BST command, the consecutive write command can be issued.
2. Same	Different	—	Precharge the bank to interrupt the preceding read operation. $t_{RP}$ after the precharge command, issue the ACT command. $t_{RCD}$ after the ACT command, the consecutive write command can be issued. See 'A read command to the consecutive precharge interval' section.
3. Different	Any	ACTIVE	Issue the BST command. $t_{BSTW} (\geq t_{BSTZ})$ after the BST command, the consecutive write command can be issued.
		IDLE	Precharge the bank independently of the preceding read operation. $t_{RP}$ after the precharge command, issue the ACT command. $t_{RCD}$ after the ACT command, the consecutive write command can be issued.

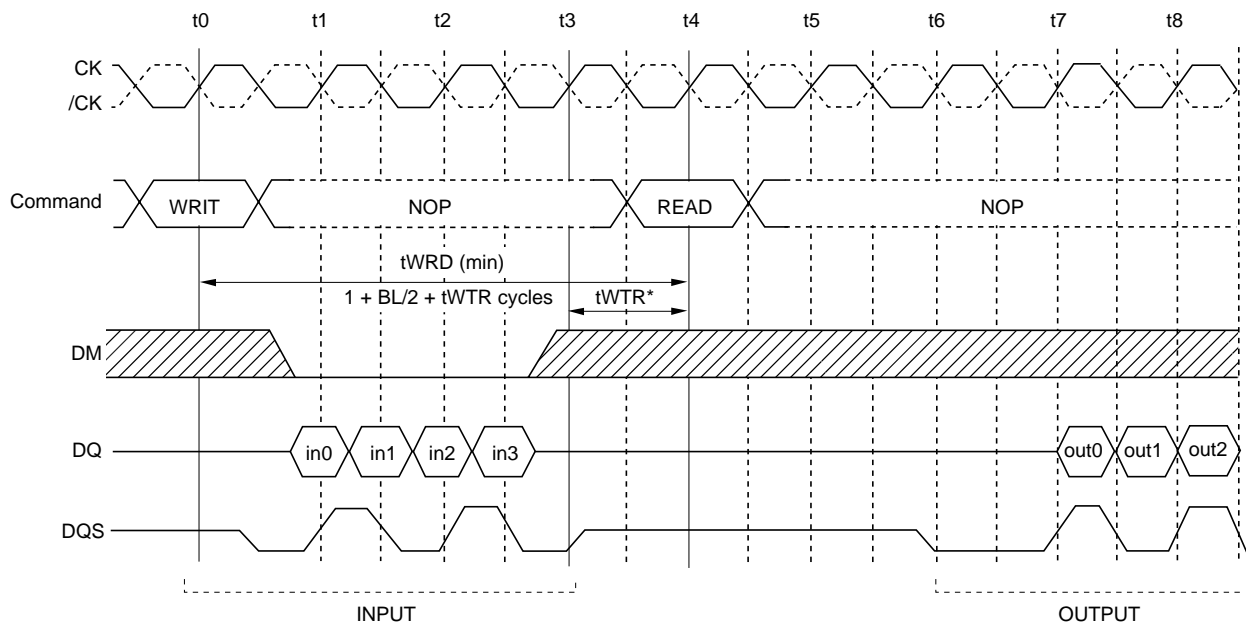


**READ to WRITE Command Interval**

**A Write command to the consecutive Read command interval: To complete the burst operation**

Destination row of the consecutive read command

Bank address	Row address	State	Operation
1. Same	Same	ACTIVE	To complete the burst operation, the consecutive read command should be performed $tWRD (= 1 + BL/2 + tWTR)$ after the write command.
2. Same	Different	—	Precharge the bank $tWPD$ after the preceding write command. $tRP$ after the precharge command, issue the ACT command. $tRCD$ after the ACT command, the consecutive read command can be issued. See 'A read command to the consecutive precharge interval' section.
3. Different	Any	ACTIVE	To complete a burst operation, the consecutive read command should be performed $tWRD (= 1 + BL/2 + tWTR)$ after the write command.
		IDLE	Precharge the bank independently of the preceding write operation. $tRP$ after the precharge command, issue the ACT command. $tRCD$ after the ACT command, the consecutive read command can be issued.



Note:  $tWTR$  is referenced from the first positive CK edge after the last desired data in pair  $tWTR$ .

BL = 4  
CL = 3

**WRITE to READ Command Interval**

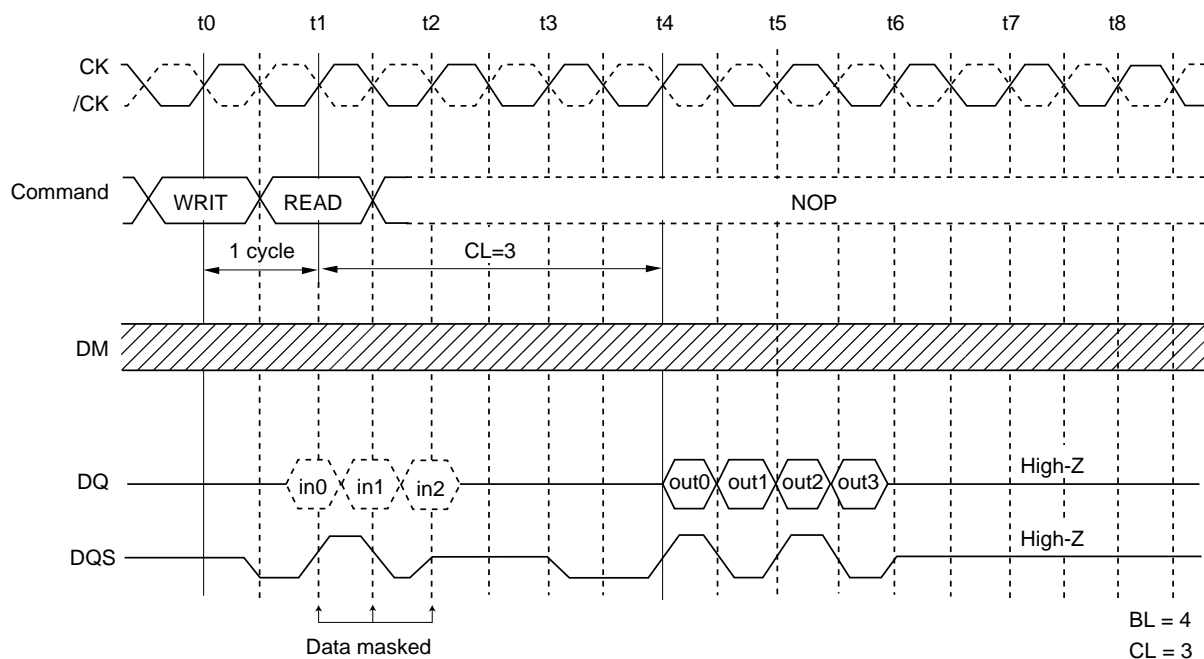
**A Write command to the consecutive Read command interval: To interrupt the write operation**

Destination row of the consecutive read command

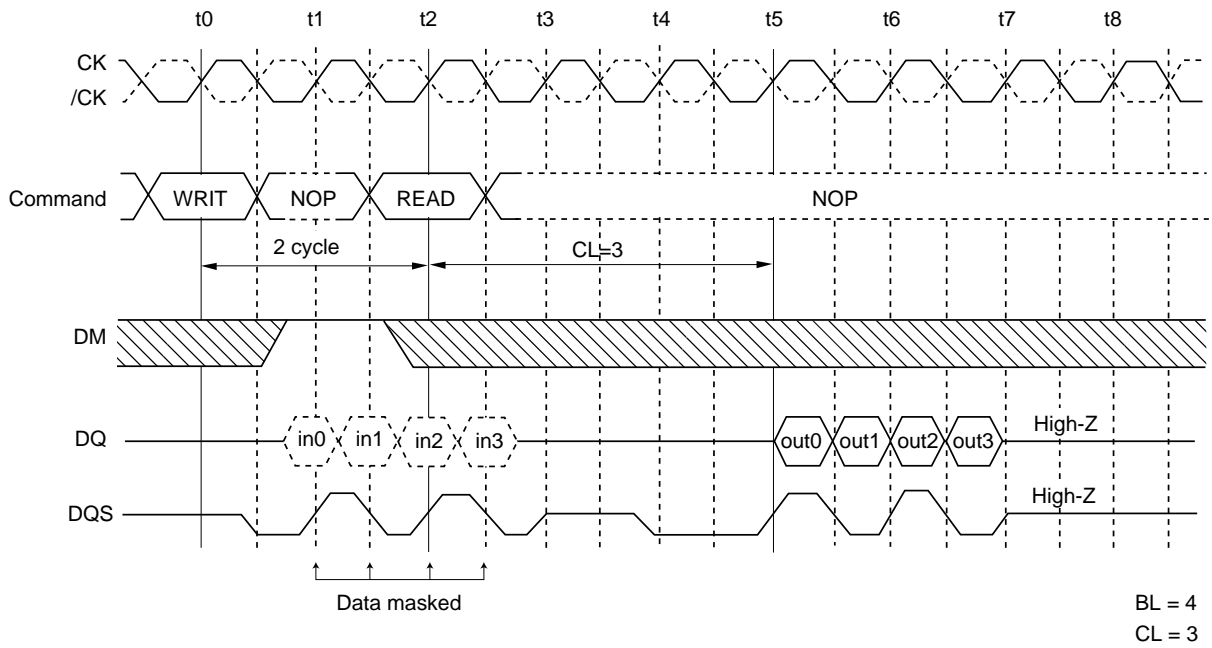
Bank address	Row address	State	Operation
1. Same	Same	ACTIVE	DM must be input 1 cycle prior to the read command input to prevent from being written invalid data. In case, the read command is input in the next cycle of the write command, DM is not necessary.
2. Same	Different	—	—*1
3. Different	Any	ACTIVE	DM must be input 1 cycle prior to the read command input to prevent from being written invalid data. In case, the read command is input in the next cycle of the write command, DM is not necessary.
		IDLE	—*1

Note: 1. Precharge must be preceded to read command. Therefore read command can not interrupt the write operation in this case.

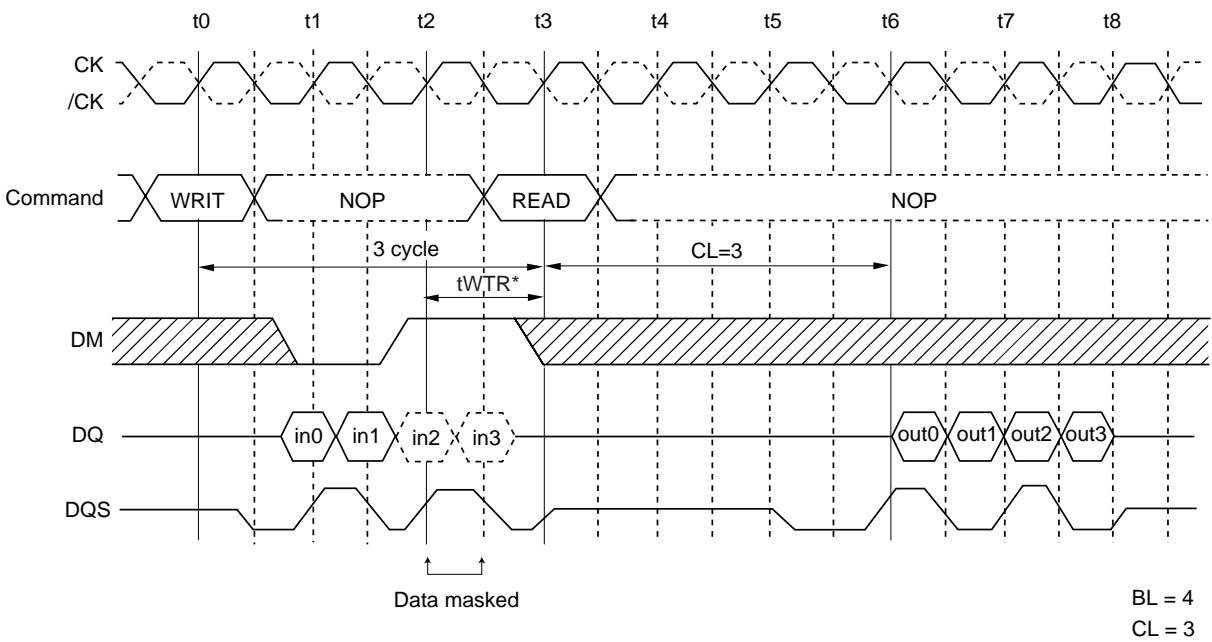
**WRITE to READ Command Interval (Same bank, same ROW address)**



[WRITE to READ delay = 1 clock cycle]



**[WRITE to READ delay = 2 clock cycle]**

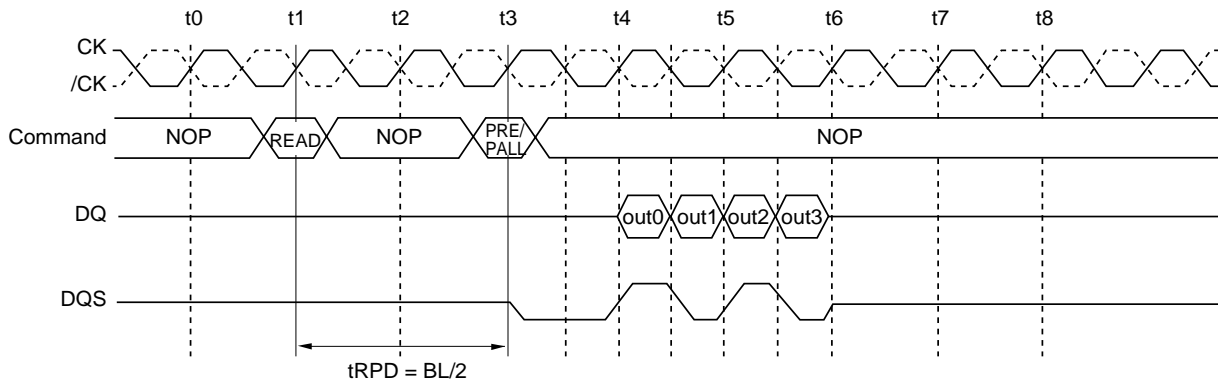


Note:  $t_{WTR}$  is referenced from the first positive CK edge after the last desired data in pair  $t_{WTR}$ .

**[WRITE to READ delay = 3 clock cycle]**

**A Read command to the consecutive Precharge command interval (same bank): To output all data**

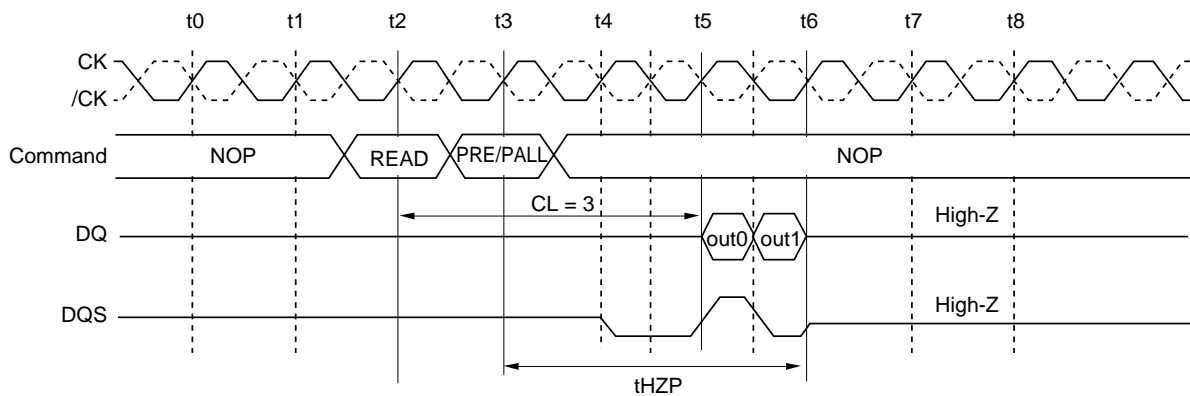
To complete a burst read operation and get a burst length of data, the consecutive precharge command must be issued  $tRPD (= BL/2 \text{ cycles})$  after the read command is issued.



**READ to PRECHARGE Command Interval (same bank): To output all data (CL = 3, BL = 4)**

**READ to PRECHARGE Command Interval (same bank): To stop output data**

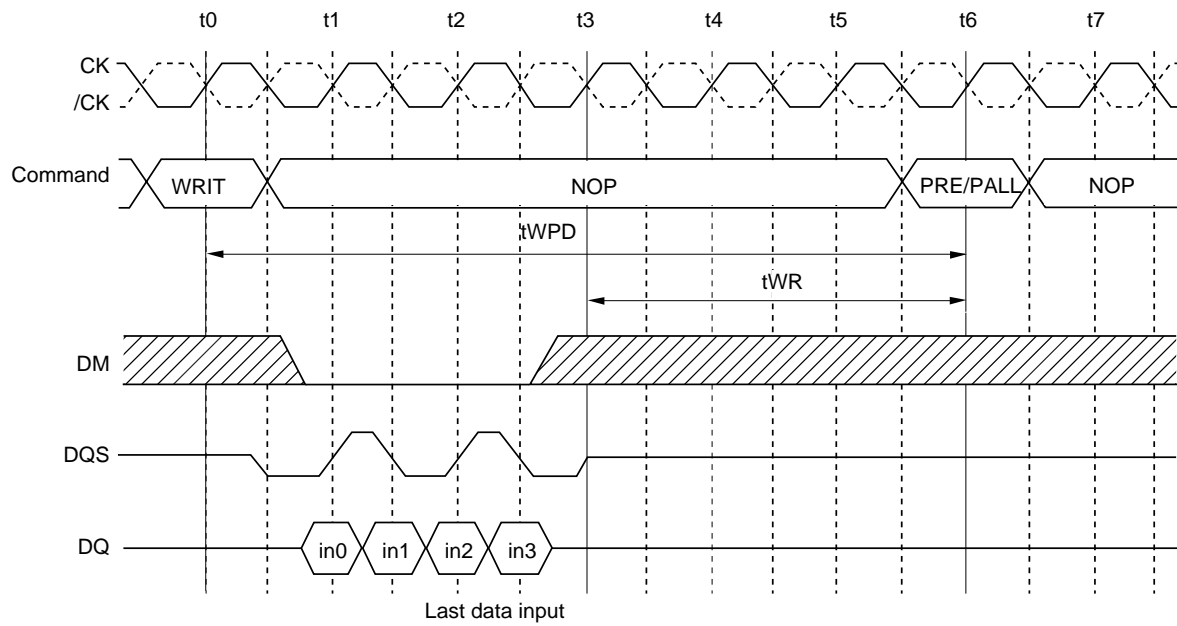
A burst data output can be interrupted with a precharge command. All DQ pins and DQS pins become High-Z  $tHZP (= CL)$  after the precharge command.



**READ to PRECHARGE Command Interval (same bank): To stop output data (CL = 3, BL = 2, 4, 8)**

**A Write command to the consecutive Precharge command interval (same bank)**

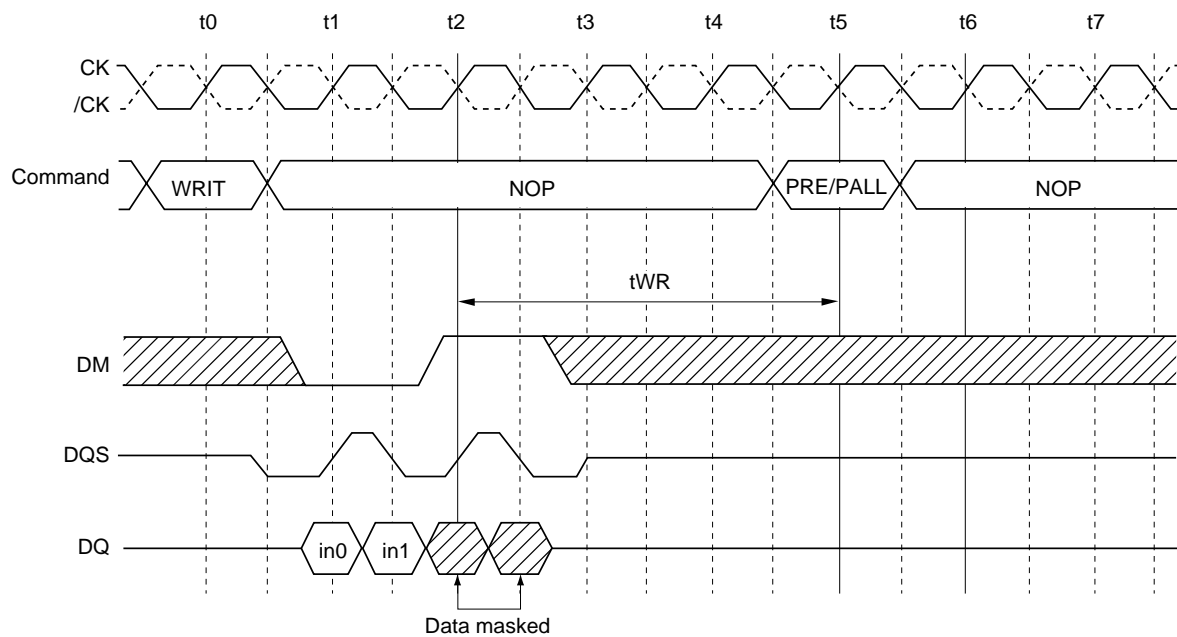
The minimum interval  $t_{WPD}$  is necessary between the write command and the precharge command.



**WRITE to PRECHARGE Command Interval (same bank) (BL = 4)**

**Precharge Termination in Write Cycles**

During a burst write cycle without auto precharge, the burst write operation is terminated by a precharge command of the same bank. In order to write the last input data,  $t_{WR}$  (min) must be satisfied. When the precharge command is issued, the invalid data must be masked by DM.



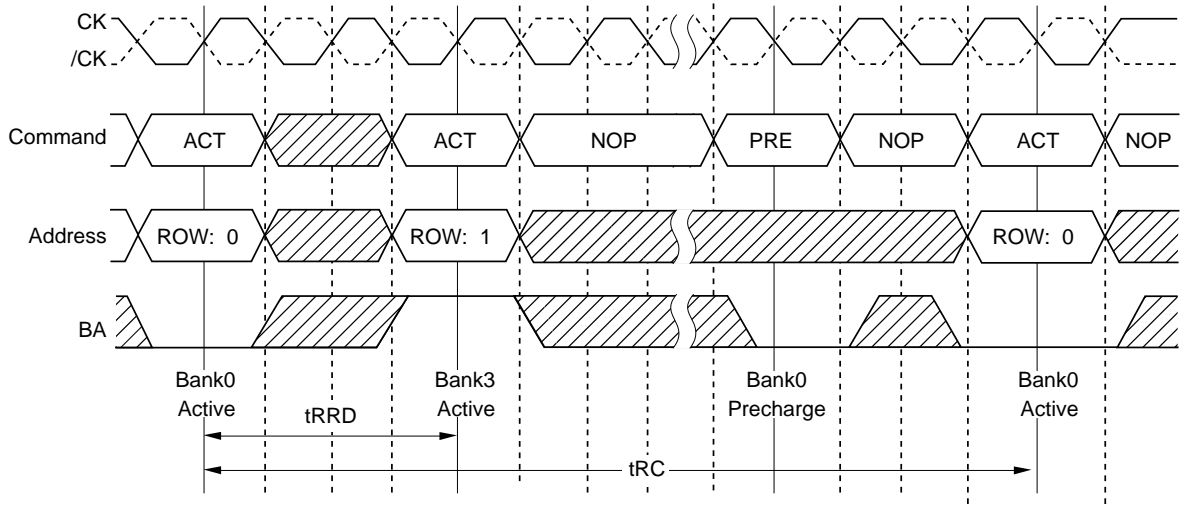
**Precharge Termination in Write Cycles (same bank) (BL = 4)**



**Bank active command interval**

Destination row of the consecutive ACT command

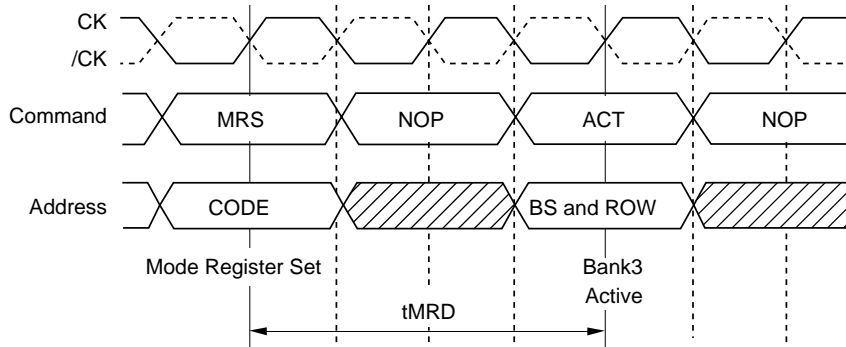
Bank address	Row address	State	Operation
1. Same	Any	ACTIVE	Two successive ACT commands can be issued at tRC interval. In between two successive ACT operations, precharge command should be executed.
2. Different	Any	ACTIVE	Precharge the bank. tRP after the precharge command, the consecutive ACT command can be issued.
		IDLE	tRRD after an ACT command, the next ACT command can be issued.



**Bank Active to Bank Active**

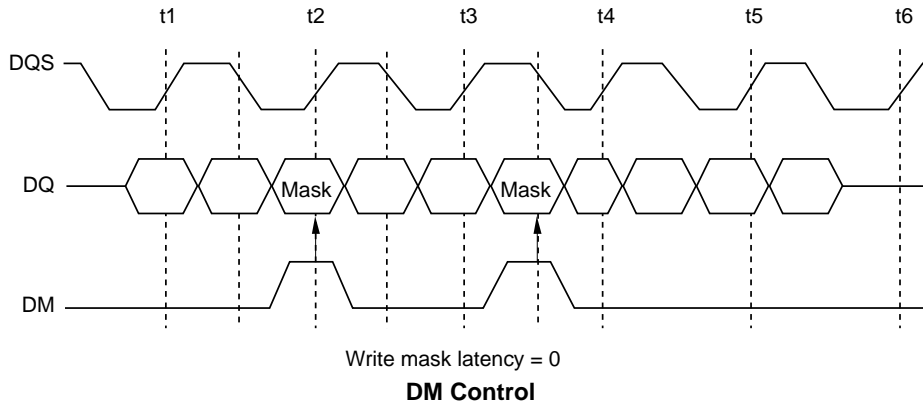
**Mode register set to Bank-active command interval**

The interval between setting the mode register and executing a bank-active command must be no less than tMRD.



**DM Control**

DM can mask input data. In  $\times 16$  products, UDM and LDM can mask the upper and lower byte of input data respectively. By setting DM to low, data can be written. When DM is set to high, the corresponding data is not written, and the previous data is held. The latency between DM input and enabling/disabling mask function is 0.

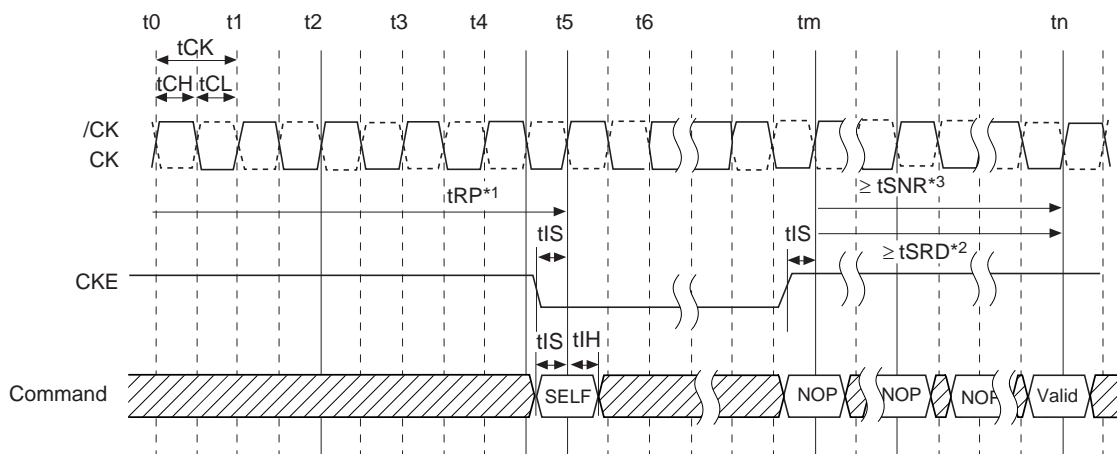


**Self-Refresh**

The self-refresh command can be used to retain data in the DDR SDRAM, even if the rest of the system is powered down. When in the self-refresh mode, the DDR SDRAM retains data without external clocking. The self-refresh command is initiated like an auto-refresh command except CKE is disabled (low). The DLL is automatically disabled upon entering self-refresh, and is automatically enabled upon exiting self-refresh. Any time the DLL is enabled a DLL reset must follow and 200 clock cycles should occur before a read command can be issued. Input signals except CKE are “Don’t care” during self-refresh. Since CKE is an SSTL2 input, VREF must be maintained during self-refresh.

The procedure for exiting self-refresh requires a sequence of commands. First, CK must be stable prior to CKE going back high. Once CKE is high, the DDR SDRAM must have NOP commands issued for  $t_{SNR}$  because time is required for the completion of any internal refresh in progress. A simple algorithm for meeting both refresh and DLL requirements is to apply NOPs for 200 clock cycles before applying any other command.

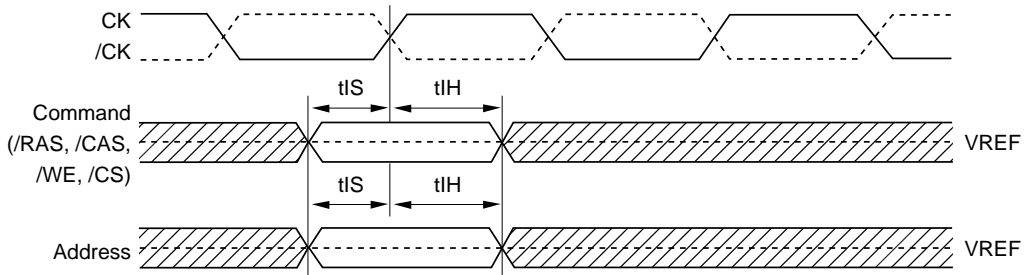
The use of self-refresh mode introduces the possibility that an internally timed event can be missed when CKE is raised for exit from self-refresh mode. Upon exit from self-refresh an extra auto-refresh command is recommended.



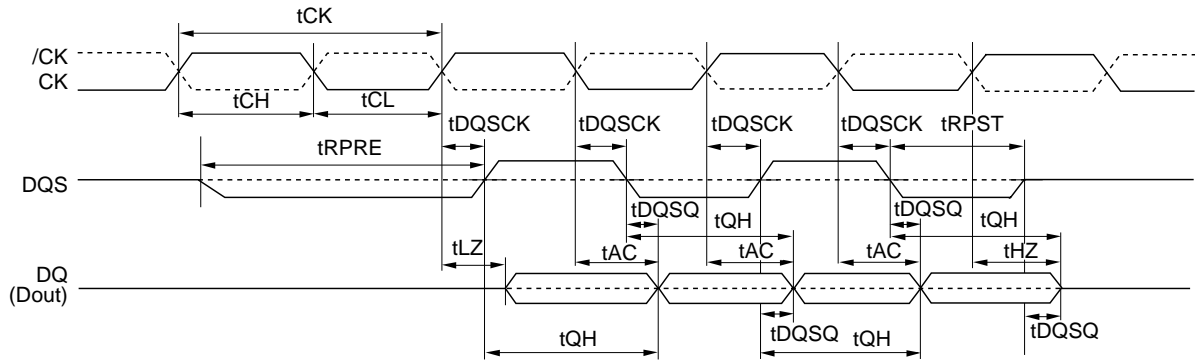
- Notes: 1. Device must be in the “All banks idle” state prior to entering self-refresh mode.
- 2.  $t_{SRD}$  is applied for a read or a read with autoprecharge command.
- 3.  $t_{SNR}$  is applied for any command except a read or a read with autoprecharge command.

Timing Waveforms

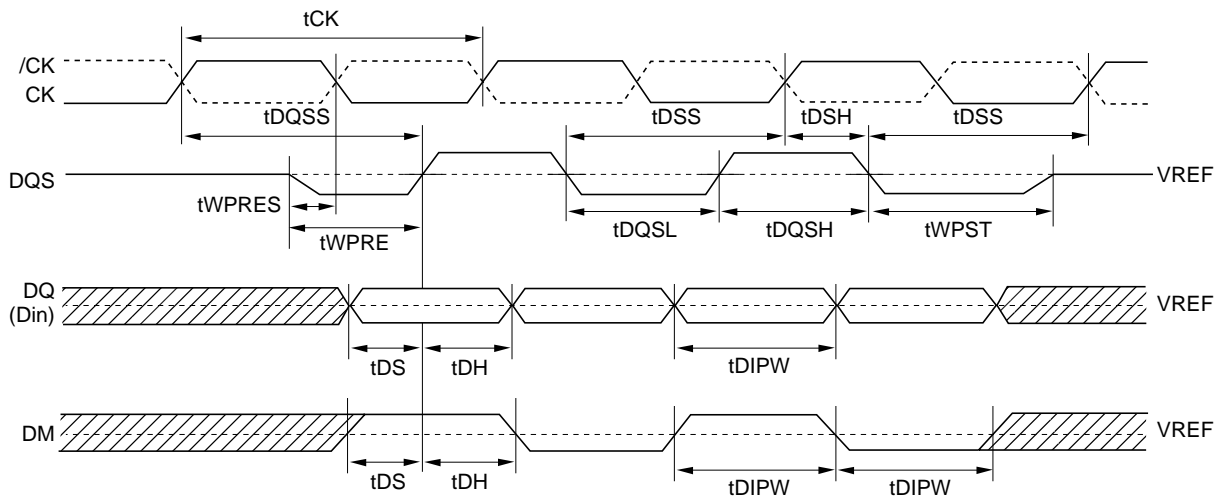
Command and Addresses Input Timing Definition



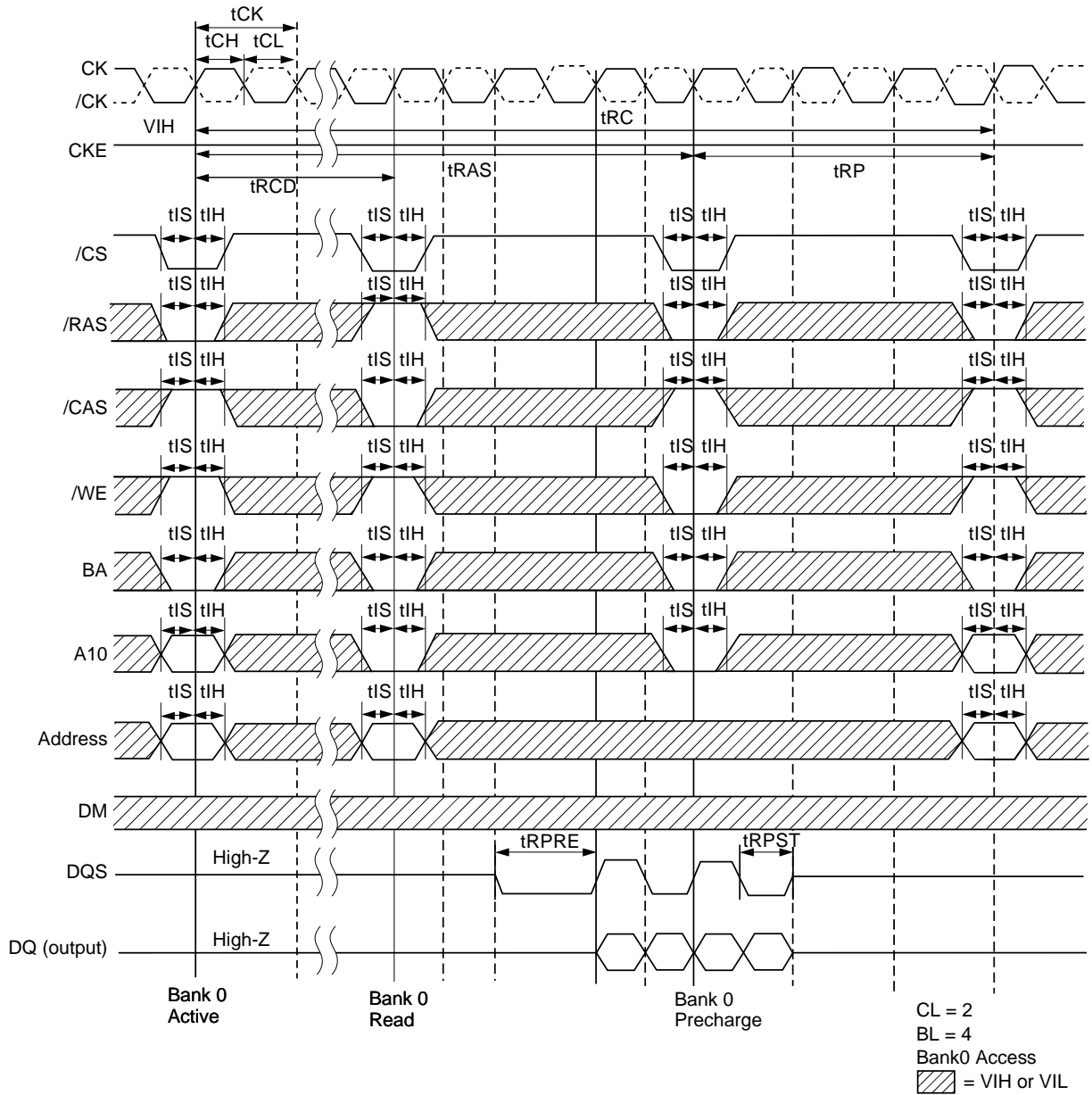
Read Timing Definition



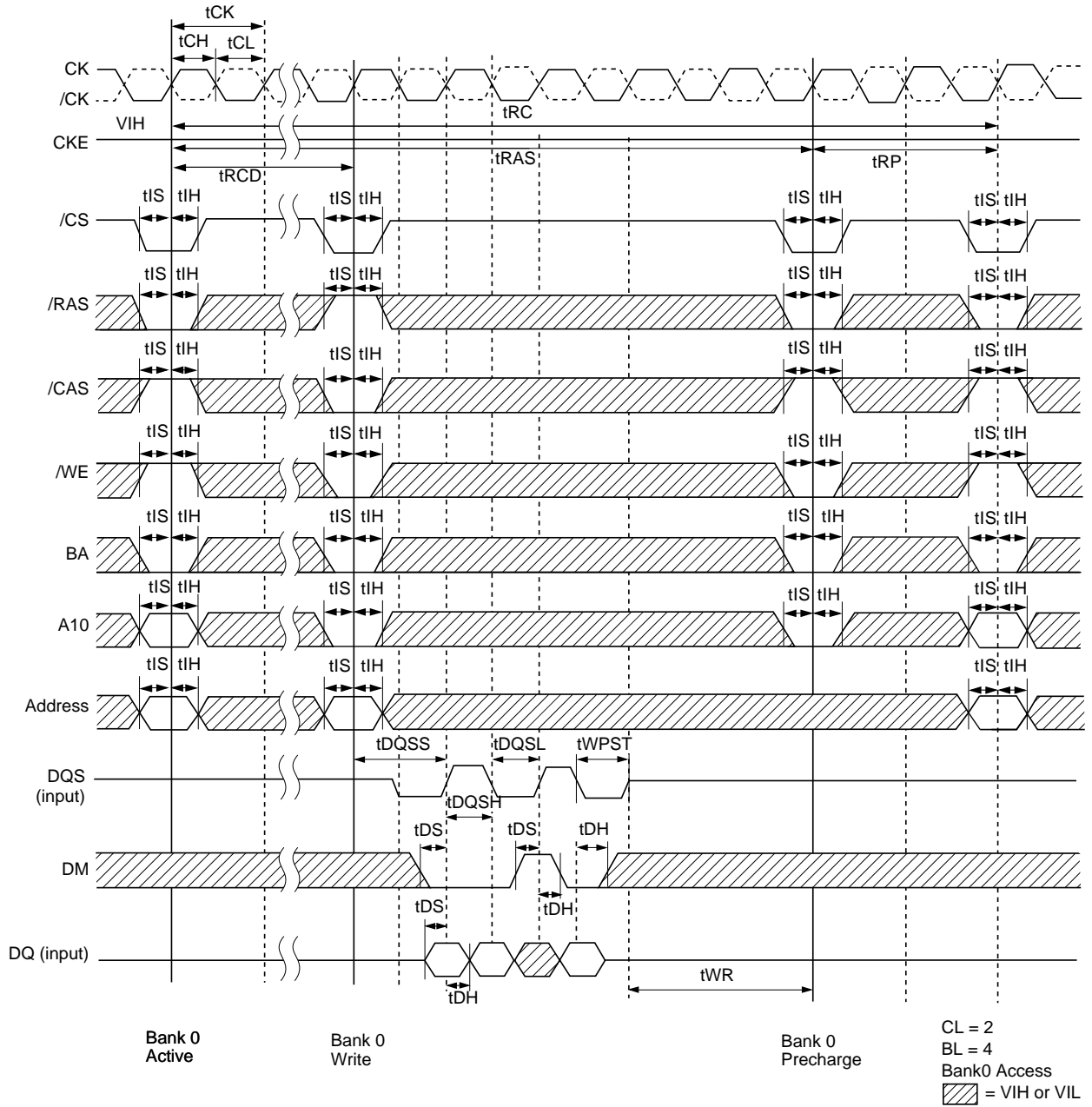
Write Timing Definition



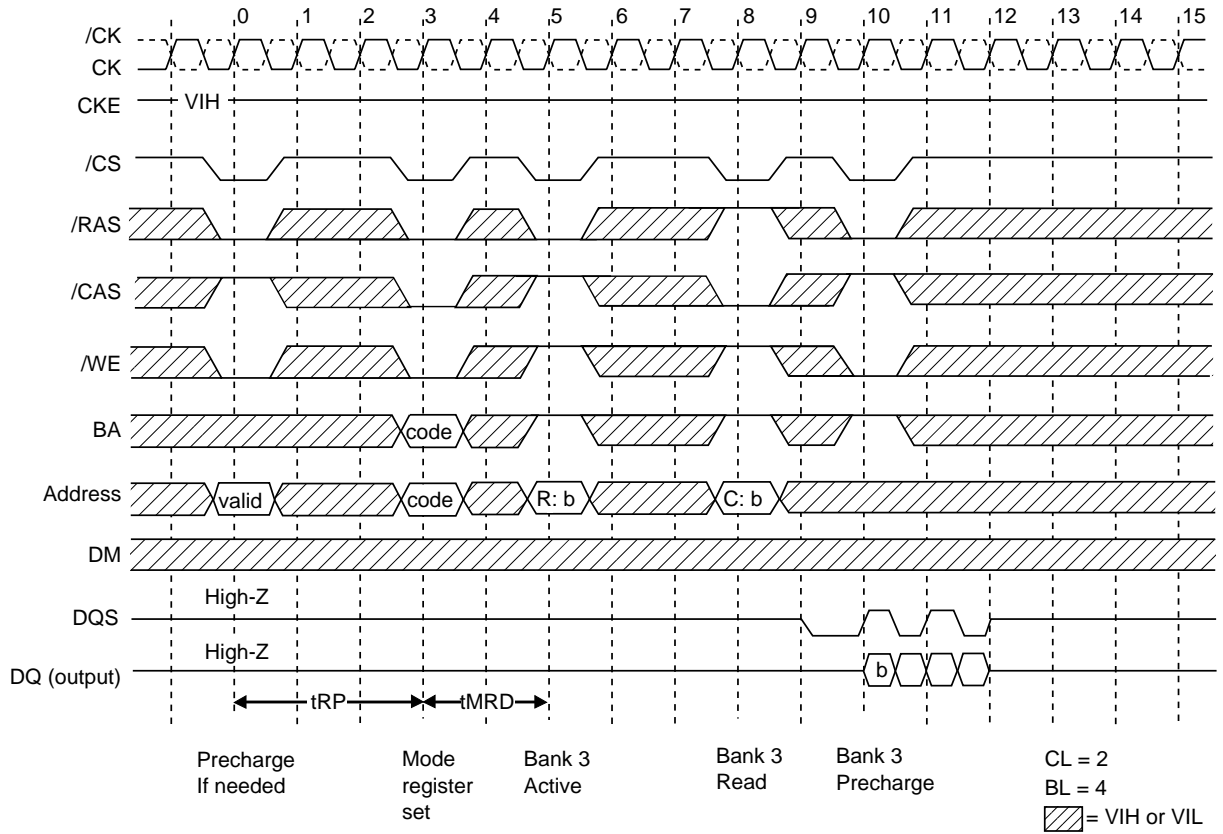
Read Cycle



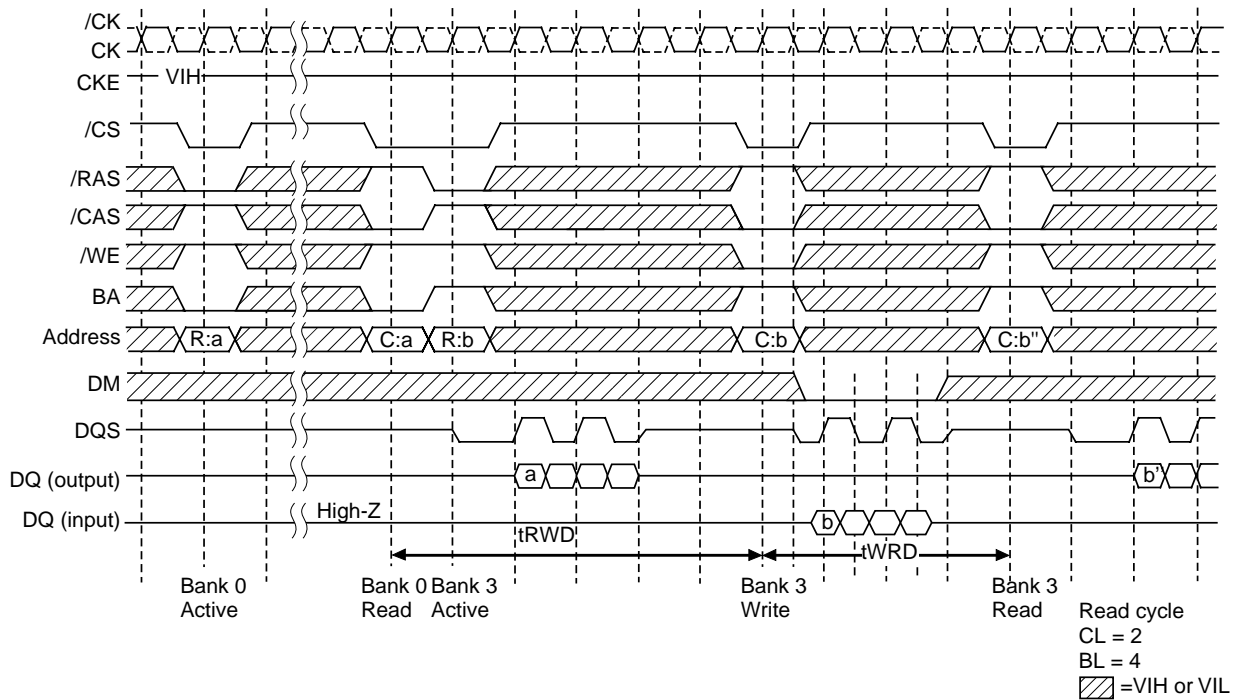
Write Cycle



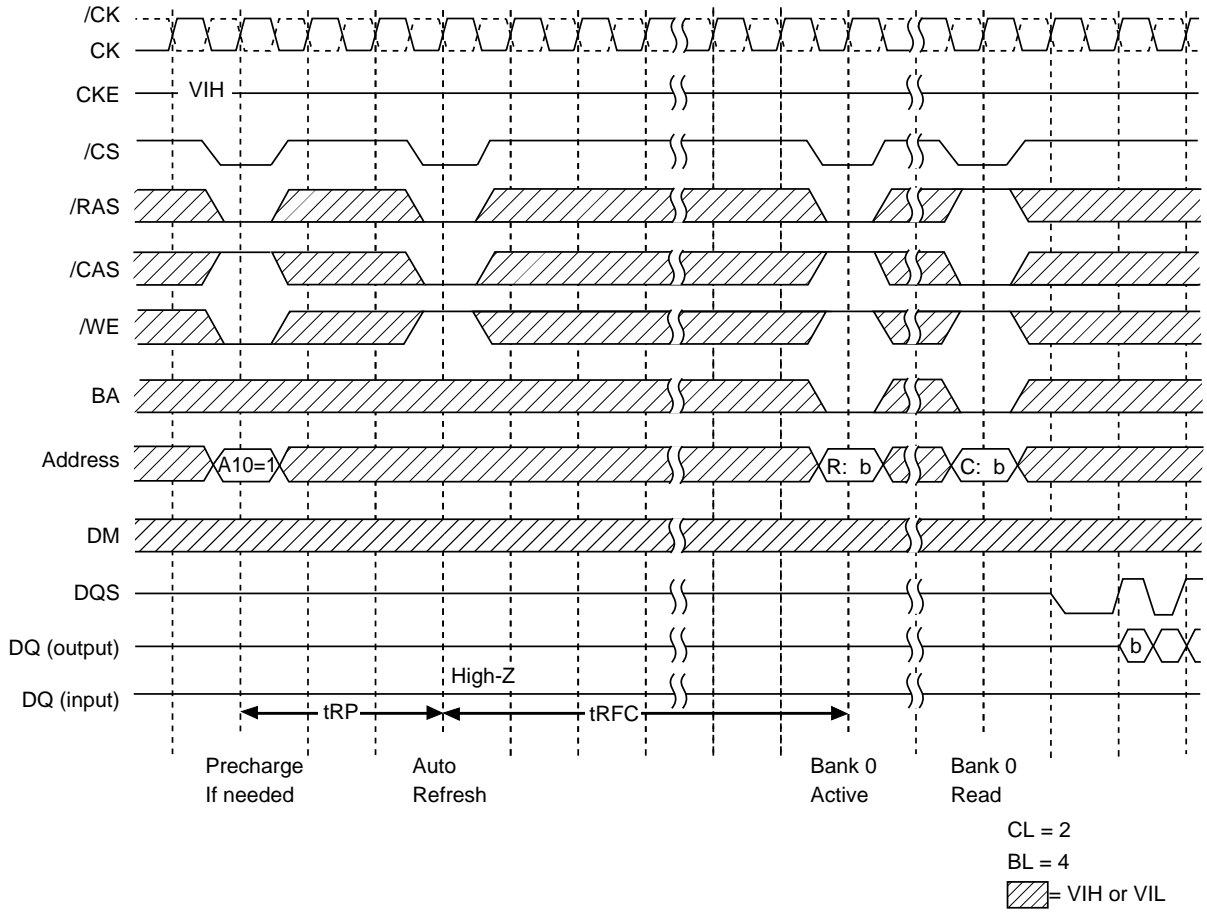
Mode Register Set Cycle



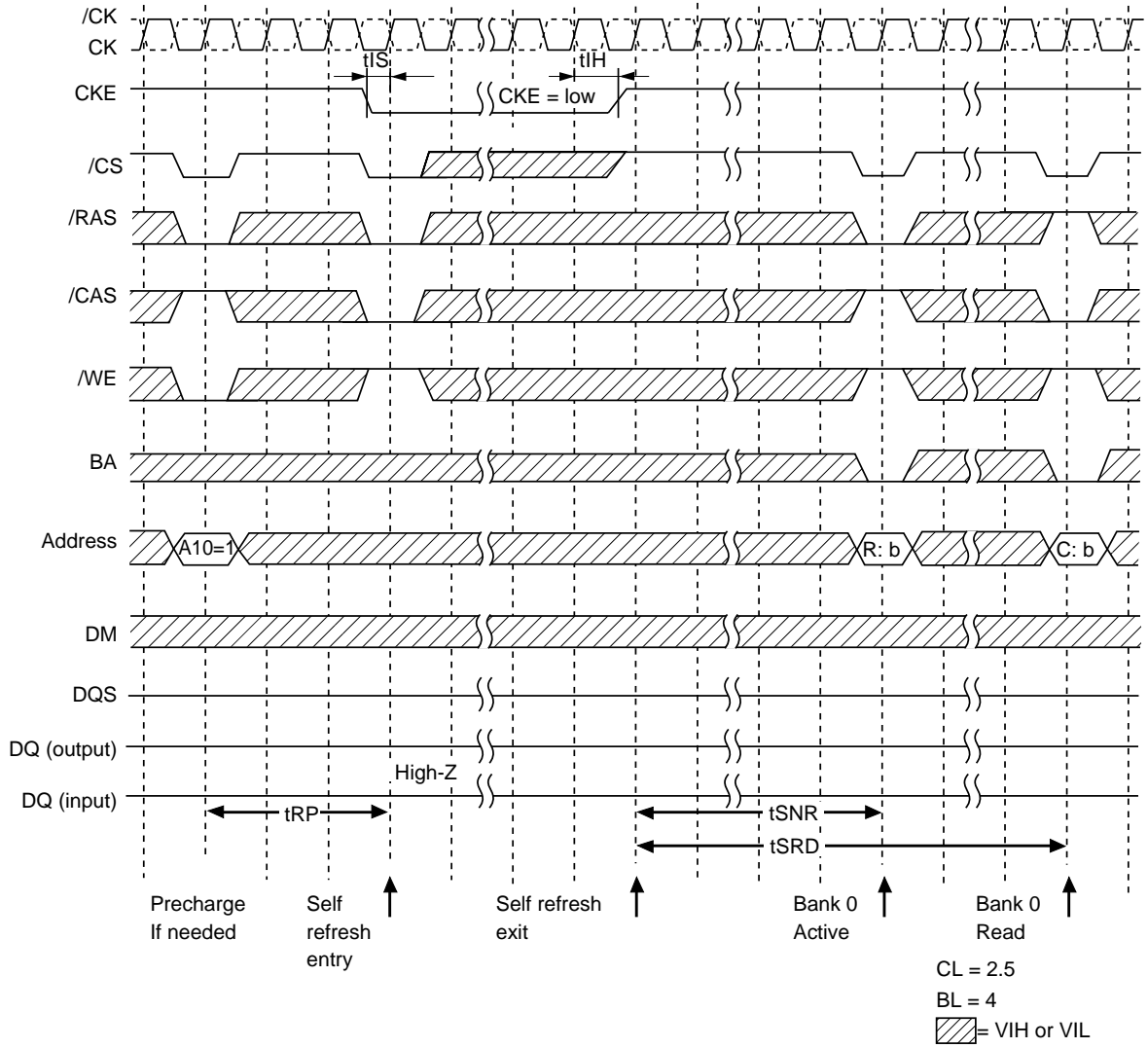
Read/Write Cycle



**Auto-Refresh Cycle**



Self-Refresh Cycle



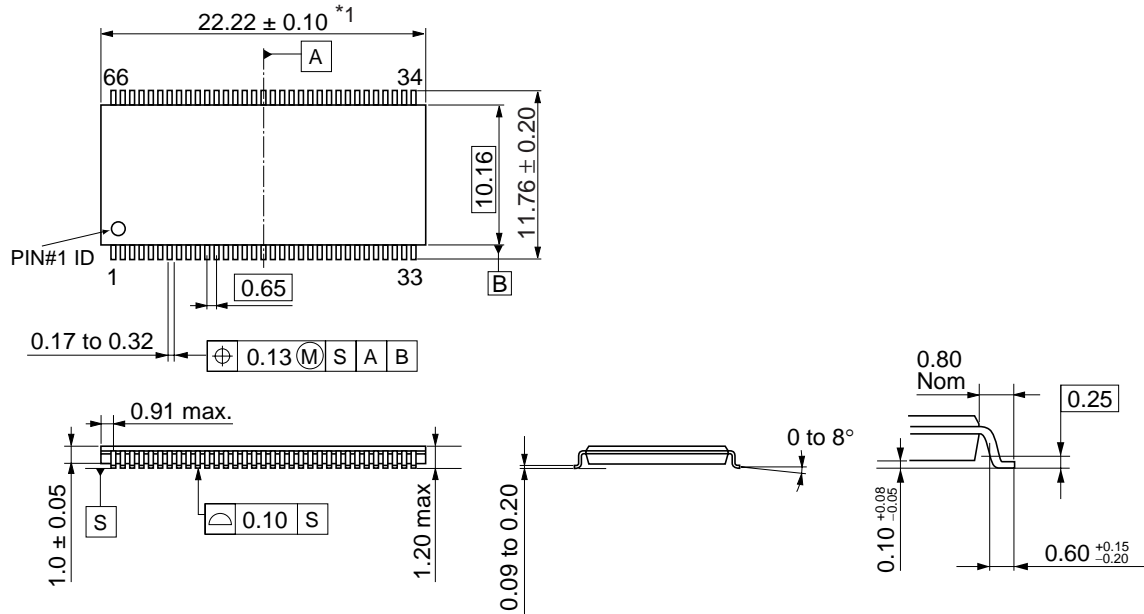


Package Drawing

66-pin Plastic TSOP (II)

Solder plating: Lead free (Sn-Bi)

Unit: mm



Note: This dimension does not include mold flash, protrusions or gate burrs. Mold flash, protrusions or gate burrs shall not exceed 0.20mm per side.

ECA-TS2-0143-01

## **Recommended Soldering Conditions**

Please consult with our sales offices for soldering conditions of the EDD5108AFTA ,EDD5116AFTA.

## **Type of Surface Mount Device**

EDD5108AFTA, EDD5116AFTA: 66-pin Plastic TSOP (II) < Lead free (Sn-Bi) >

NOTES FOR CMOS DEVICES

① PRECAUTION AGAINST ESD FOR MOS DEVICES

Exposing the MOS devices to a strong electric field can cause destruction of the gate oxide and ultimately degrade the MOS devices operation. Steps must be taken to stop generation of static electricity as much as possible, and quickly dissipate it, when once it has occurred. Environmental control must be adequate. When it is dry, humidifier should be used. It is recommended to avoid using insulators that easily build static electricity. MOS devices must be stored and transported in an anti-static container, static shielding bag or conductive material. All test and measurement tools including work bench and floor should be grounded. The operator should be grounded using wrist strap. MOS devices must not be touched with bare hands. Similar precautions need to be taken for PW boards with semiconductor MOS devices on it.

② HANDLING OF UNUSED INPUT PINS FOR CMOS DEVICES

No connection for CMOS devices input pins can be a cause of malfunction. If no connection is provided to the input pins, it is possible that an internal input level may be generated due to noise, etc., hence causing malfunction. CMOS devices behave differently than Bipolar or NMOS devices. Input levels of CMOS devices must be fixed high or low by using a pull-up or pull-down circuitry. Each unused pin should be connected to  $V_{DD}$  or GND with a resistor, if it is considered to have a possibility of being an output pin. The unused pins must be handled in accordance with the related specifications.

③ STATUS BEFORE INITIALIZATION OF MOS DEVICES

Power-on does not necessarily define initial status of MOS devices. Production process of MOS does not define the initial operation status of the device. Immediately after the power source is turned ON, the MOS devices with reset function have not yet been initialized. Hence, power-on does not guarantee output pin levels, I/O settings or contents of registers. MOS devices are not initialized until the reset signal is received. Reset operation must be executed immediately after power-on for MOS devices having reset function.

CME0107

The information in this document is subject to change without notice. Before using this document, confirm that this is the latest version.

No part of this document may be copied or reproduced in any form or by any means without the prior written consent of Elpida Memory, Inc.

Elpida Memory, Inc. does not assume any liability for infringement of any intellectual property rights (including but not limited to patents, copyrights, and circuit layout licenses) of Elpida Memory, Inc. or third parties by or arising from the use of the products or information listed in this document. No license, express, implied or otherwise, is granted under any patents, copyrights or other intellectual property rights of Elpida Memory, Inc. or others.

Descriptions of circuits, software and other related information in this document are provided for illustrative purposes in semiconductor product operation and application examples. The incorporation of these circuits, software and information in the design of the customer's equipment shall be done under the full responsibility of the customer. Elpida Memory, Inc. assumes no responsibility for any losses incurred by customers or third parties arising from the use of these circuits, software and information.

**[Product applications]**

Elpida Memory, Inc. makes every attempt to ensure that its products are of high quality and reliability. However, users are instructed to contact Elpida Memory's sales office before using the product in aerospace, aeronautics, nuclear power, combustion control, transportation, traffic, safety equipment, medical equipment for life support, or other such application in which especially high quality and reliability is demanded or where its failure or malfunction may directly threaten human life or cause risk of bodily injury.

**[Product usage]**

Design your application so that the product is used within the ranges and conditions guaranteed by Elpida Memory, Inc., including the maximum ratings, operating supply voltage range, heat radiation characteristics, installation conditions and other related characteristics. Elpida Memory, Inc. bears no responsibility for failure or damage when the product is used beyond the guaranteed ranges and conditions. Even within the guaranteed ranges and conditions, consider normally foreseeable failure rates or failure modes in semiconductor devices and employ systemic measures such as fail-safes, so that the equipment incorporating Elpida Memory, Inc. products does not cause bodily injury, fire or other consequential damage due to the operation of the Elpida Memory, Inc. product.

**[Usage environment]**

This product is not designed to be resistant to electromagnetic waves or radiation. This product must be used in a non-condensing environment.

If you export the products or technology described in this document that are controlled by the Foreign Exchange and Foreign Trade Law of Japan, you must follow the necessary procedures in accordance with the relevant laws and regulations of Japan. Also, if you export products/technology controlled by U.S. export control regulations, or another country's export control laws or regulations, you must follow the necessary procedures in accordance with such laws or regulations.

If these products/technology are sold, leased, or transferred to a third party, or a third party is granted license to use these products, that third party must be made aware that they are responsible for compliance with the relevant laws and regulations.

M01E0107